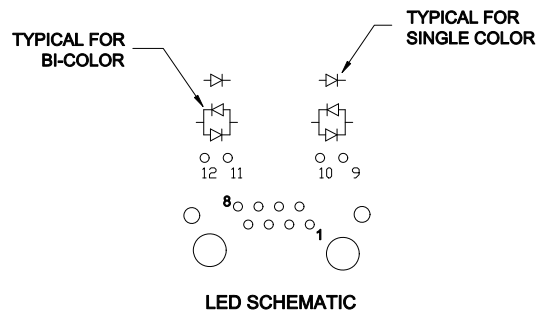
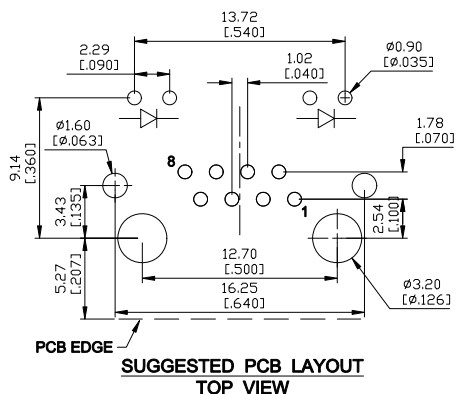
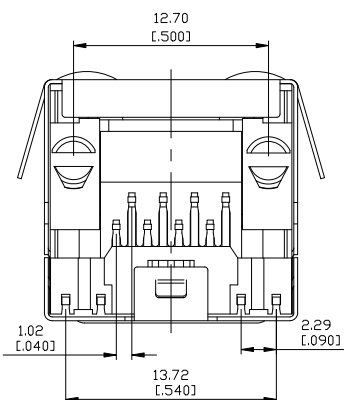
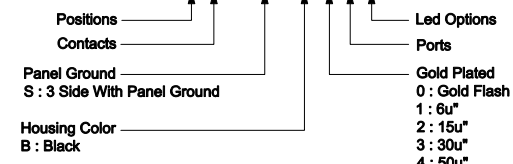


Electrical Characteristics :
 Insulation Resistance : 500MΩ Min.
 Contact Resistance : 50mΩ Max.
 Withstand Voltage : 1000 VAC 1 minute.
 Current Rating : 1.5A

Material:
 Housing: Thermoplastic UL 94V-0
 Contact : Selective Gold Plating
 Terminal: 0.35mm Thickness Phosphor Bronze
 Plated With Gold And Tin In Solder Area.
 Shielded: Brass ,Nickel Plating
 CUL File No : E215573

PART NO : 8 1 8 8 D S - B * 1 * - 0



LED Color Options Table

LED Color Options		LED DASH OPTION
LED 2 (Left)	LED 1 (Right)	
No LED	No LED	0
Yellow	Green	1
No LED	Green	2
Yellow	No LED	3
Green	Yellow	4
Green	Green	5
Yellow	Yellow	6
Orange/Green	Orange/Green	7
Yellow/Green	Yellow/Green	8
Orange/Green	Yellow	9
No LED	Green/Yellow	Z
Green	Orange	A
Orange	Green	B
Green	Red	C
Red	Green	D



ZONE	REV.	DESCRIPTION	DATE	APPD.
Ⓐ	A.1	Withstand Voltage 500修改為1000VAC	2008-08-01	Nick
Ⓑ				
Ⓒ				
Ⓓ				
Ⓔ				

FILE NO : 81 (SERIES)

TOLERANCE (公差) :
 0.000 mm ± 0.075mm
 0.00 mm ± 0.15mm
 0.0 mm ± 0.25mm

TITLE 圖名	SHIELDED RJ45 WITH LED PCB JACK		UNIT 單位	mm inch
PART NO. 料號	8188DS-B*1*-0		SCALE 比例	1:1
REV. 版本	A.1	DATE 日期	2007-03-22	
CHECKED BY 審核	Michael		DRAWN BY 製圖	Valiant