

NOTE

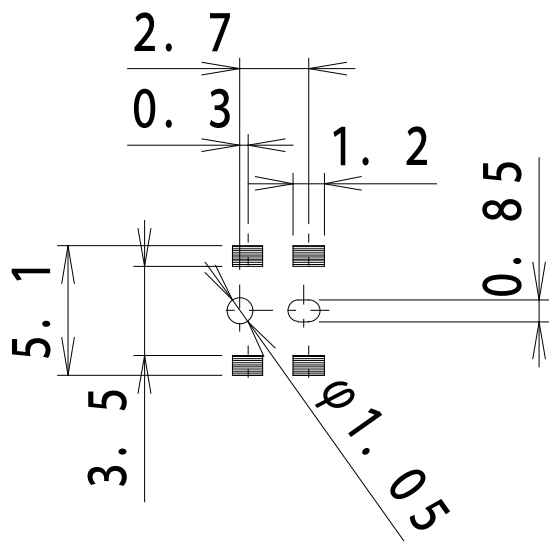
- 1. RATING : DC 5V 1mA
- 2. CONTACT RESISTANCE : 1Ω MAX
- 3. GENERAL TOLERANCE : +/- 0.3 mm
- 4. MANUFACTURING SPECIFICATION
WOULD BE ACCORDANCE WITH WT0158
- 5. PART NO.(P/N):

ES107V1MP - 038 R - R

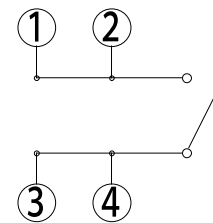
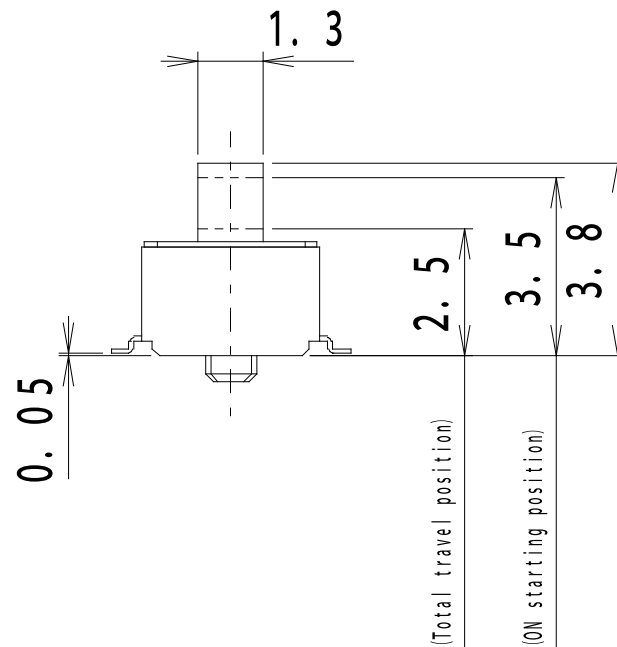
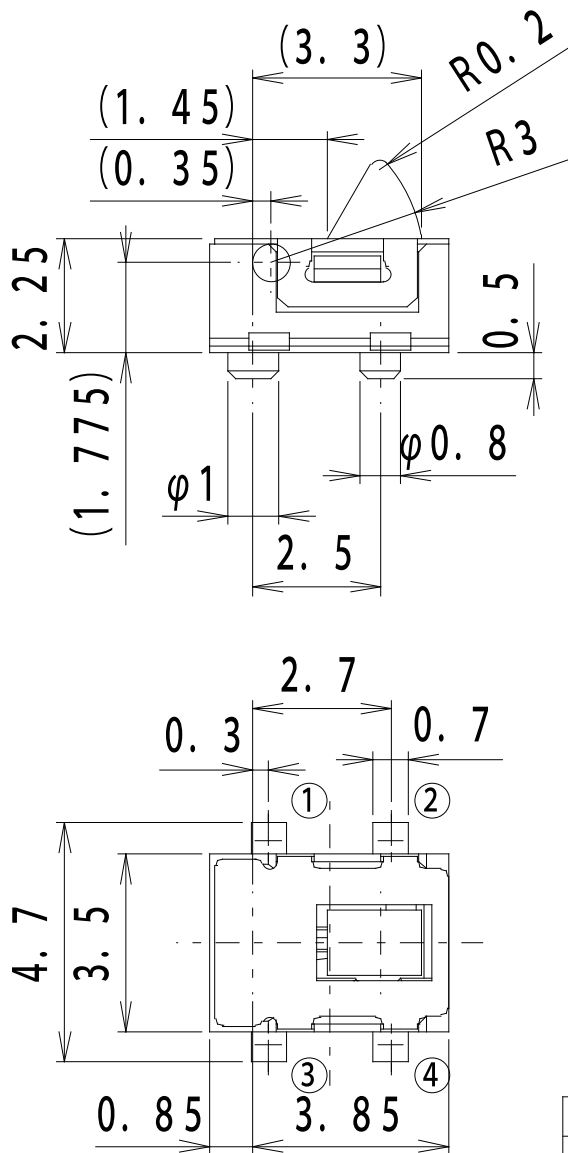
3.8x4.7x3.8
VERTICAL

DIMENSION "H"
038=3.8mm

PACKING
R=REEL



P.C.B LAND DIMENSION



CIRCUIT DIAGRAM

RevNo	Revision note	Date	Signature

Designed by	L.Y.D							
Checked by			冠泰電子有限公司 CHAMPWAY ELECTRONICS CO., LTD.					
Approved by		Unit	mm	Scale	1/1	Date	2011.10.14	
Item	Detector Switch		Tool	A-Cad	Sheet	1/1	Rev.	0
Model	3.8x4.7x3.8 VERTICAL SMD		Drawing name		ES107V1MP-038R-R			