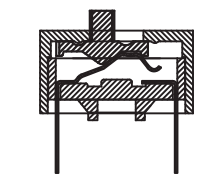
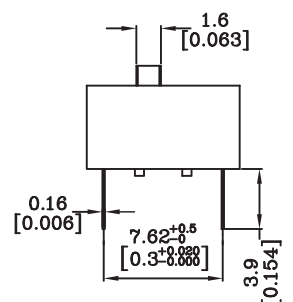
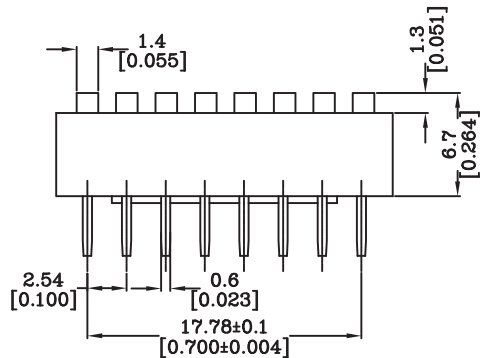


P.C.B LAYOUT



SECTION A-A

MATERIALS

BASE:UL94V-0 PBT Thermoplastic,
Color:Black
COVER:UL94V-0 PBT Thermoplastic,
Color:Red,Black,Blue
ACTUATORS:UL94V-0 PBT
Thermoplastic, Color:White
TERMINAL:Copper Alloy with gold plating

MECHANICAL

Operation Force:0.2kgf max.
Stroke:2.0mm
Operation Temp: -20°C to 70°C
Storage temp: -40°C to 85°C

ELECTRICAL

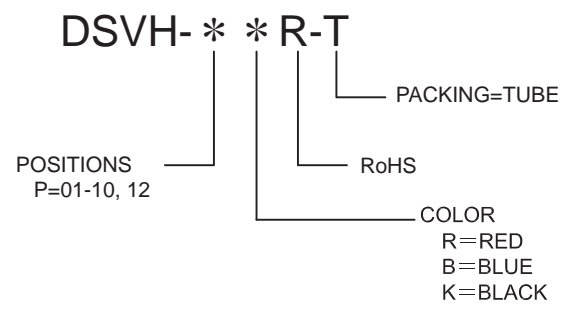
Electrical Life: 3000 operations per switch 24VDC,25mA.
Non-Switching Rating: 100mA,500VDC.
Switching Rating:25mA,24VDC.
Contact Resistance:50m max.at initial.
Insulation Resistance:(at 500VDC) 100m min.
Dielectric Strength:500VAC/1minute.
Capacitance:5PF max.
Circuit:Single pole single throw.

REV.NO	DESCRIPTION	DRAWN	CHECKED	APPROVED
ONE	NEW RELEASE			

PACKAGE

P/N	X	Y	PER TUBE	PER BOX
DSVH-01 * R-T	4.08±0.1 [0.160±0.004]	-	121pcs	6050pcs
DSVH-02 * R-T	6.6±0.1 [0.260±0.004]	2.54 [0.100]	74pcs	3700pcs
DSVH-03 * R-T	9.14±0.1 [0.360±0.004]	5.08 [0.200]	53pcs	2650pcs
DSVH-04 * R-T	11.68±0.1 [0.460±0.004]	7.62 [0.300]	42pcs	2100pcs
DSVH-05 * R-T	14.22±0.1 [0.560±0.004]	10.16 [0.400]	34pcs	1700pcs
DSVH-06 * R-T	16.76±0.1 [0.660±0.004]	12.7 [0.500]	29pcs	1450pcs
DSVH-07 * R-T	19.3±0.1 [0.760±0.004]	15.24 [0.600]	25pcs	1250pcs
DSVH-08 * R-T	21.84±0.1 [0.860±0.002]	17.78 [0.700]	22pcs	1100pcs
DSVH-09 * R-T	24.38±0.1 [0.960±0.004]	20.32 [0.800]	20pcs	1000pcs
DSVH-10 * R-T	26.92±0.1 [1.060±0.004]	22.86 [0.900]	18pcs	900pcs
DSVH-12 * R-T	32±0.1 [1.260±0.004]	27.94 [1.100]	15pcs	750pcs

HOW TO ORDER



GENERAL TOLERANCE	ANGLE TOLERANCE	PROJECTION	DIP SWITCHES		
X. ±0.50	X. ±5°	UNITS MM	MODEL	DSVH-**R-T	
.X ±0.30	.X ±3°	SHEET SIZE A4			
.XX ±0.20	.XX ±2°	<p>冠泰電子有限公司 CHAMPWAY ELECTRONICS CO., LTD.</p>			
DRAWING TYPE	CUSTOMER				
SCALE 2:1	SHEET 1				1 SH
DRAWING NO					