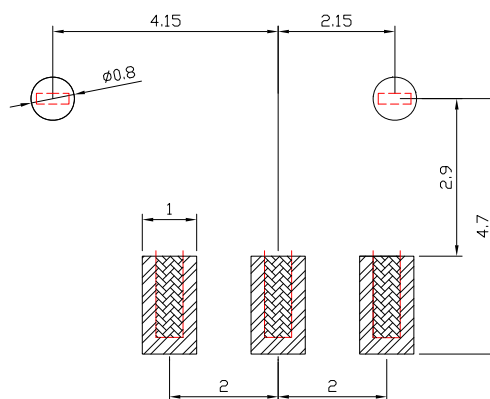
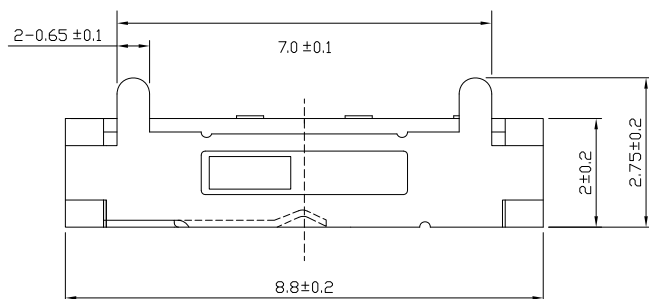
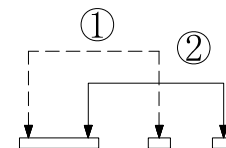
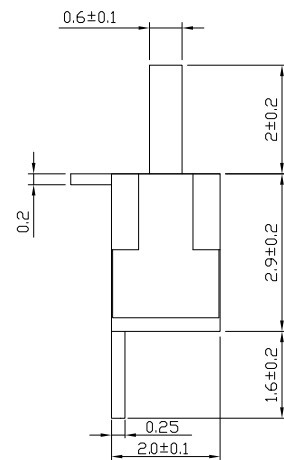
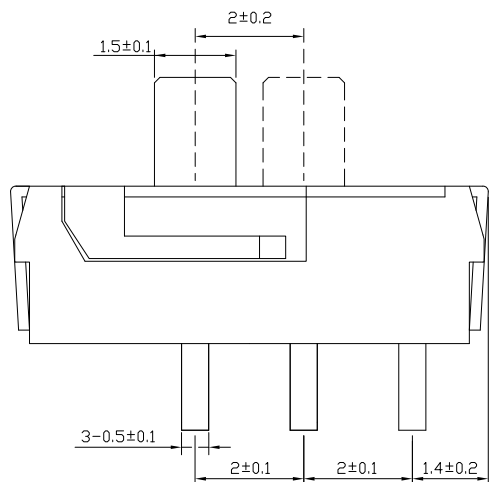


RevNo	Revision note	Date	Signature



NOTE

1. RATING : DC 12V 50mA
2. CONTACT RESISTANCE : 100mΩMAX
3. GENERAL TOLERANCE : +/- 0.3 mm
4. MANUFACTURING SPECIFICATION WOULD BE ACCORDANCE WITH WT0158

Designed by	L.Y.D		 冠泰電子有限公司 CHAMPWAY ELECTRONICS CO., LTD.						
Checked by			Unit	mm	Scale	1/1	Date	2011.10.14	
Approved by		Item	SLIDE SWITCH		Tool	Sheet	1/1	Rev.	0
Model	1P2T SMD RIGHT ANGLE	Drawing name	SS1202AMP-LLR-R						