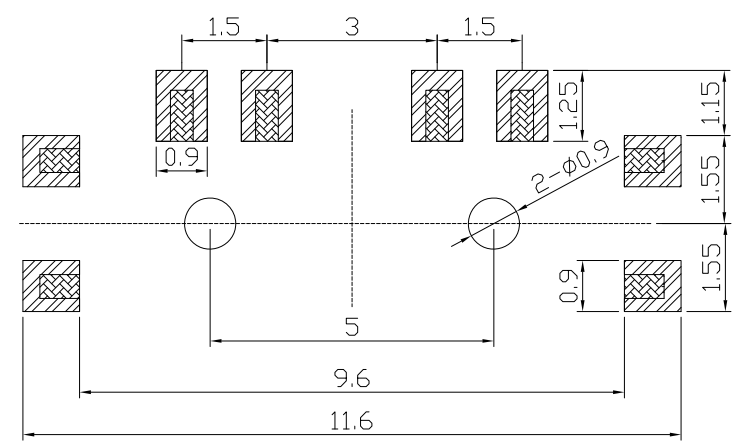
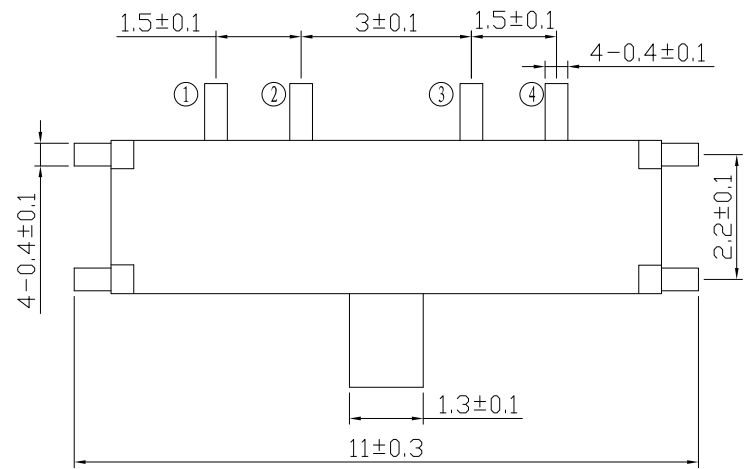
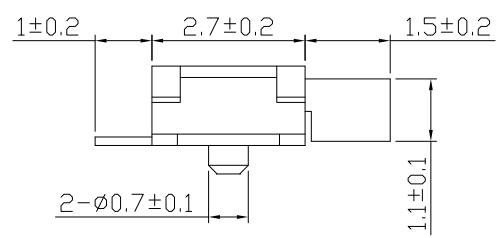
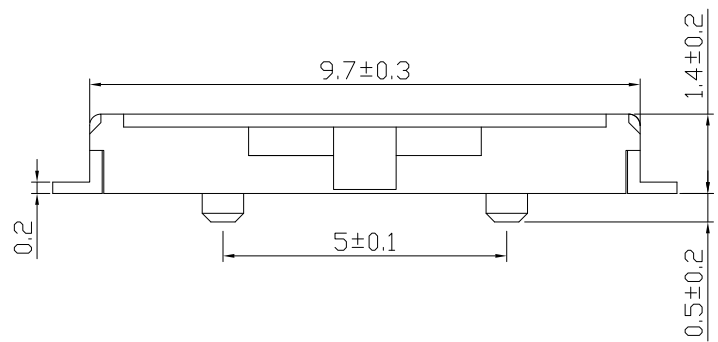
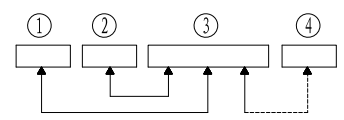


| RevNo | Revision note | Date | Signature |
|-------|---------------|------|-----------|
| | | | |
| | | | |



P.C.B LAND DIMENSION



CIRCUIT DIAGRAM

NOTE
GENERAL TOLERANCE : +/- 0.2 mm

| | | | | | | | |
|-------------|----------------------|------|---|-----------------|------|------------|---|
| Designed by | L.Y.D | | CHAMPWAY 冠泰電子有限公司 CHAMPWAY ELECTRONICS CO., LTD. | | | | |
| Checked by | | | Scale | 1/1 | Date | 2011.10.14 | |
| Approved by | | Unit | mm | Sheet | 1/1 | Rev. | 0 |
| Item | SLIDE SWITCH | | Tool | A-Cad | 1/1 | 0 | |
| Model | 1P3T SMD RIGHT ANGLE | | Drawing name | SS1300AME-LLR-R | | | |