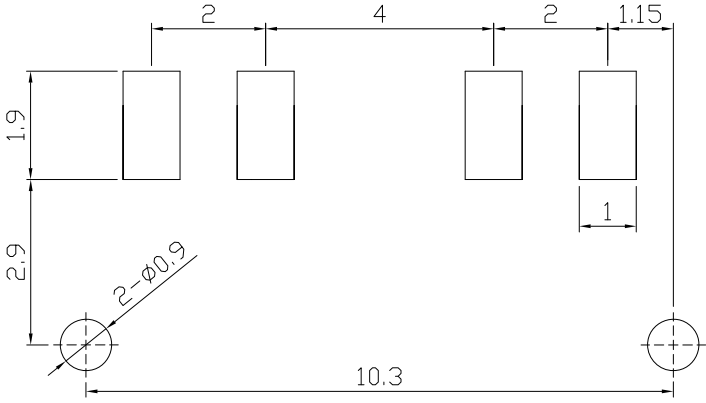
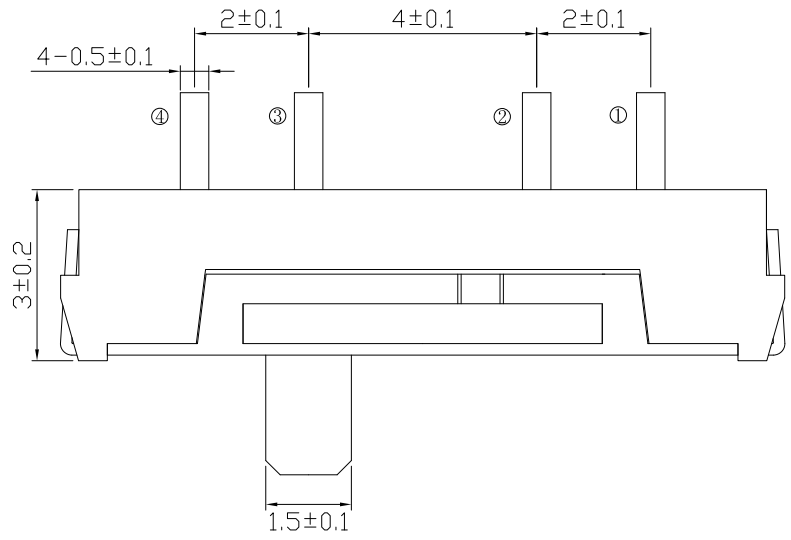
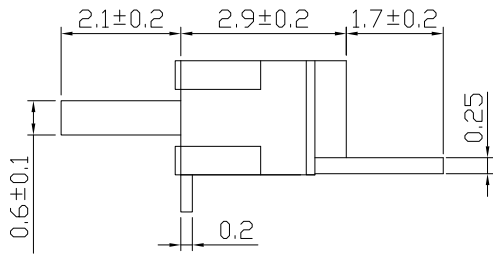
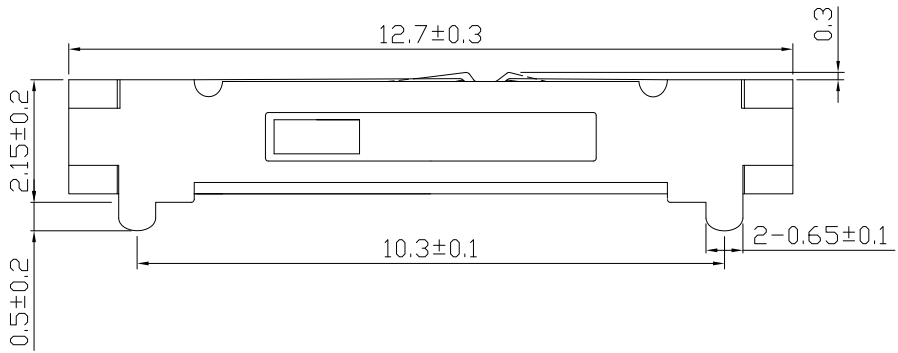
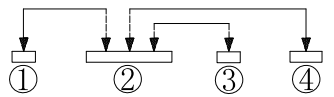


RevNo	Revision note	Date	Signature



P.C.B LAND DIMENSION



CIRCUIT DIAGRAM

**NOTE**  
GENERAL TOLERANCE : +/- 0.2 mm

Designed by	L.Y.D							
Checked by			冠泰電子有限公司 CHAMPWAY ELECTRONICS CO., LTD.					
Approved by		Unit	mm	Scale	1/1	Date	2011.10.14	
Item	SLIDE SWITCH		Tool	A-Cad	Sheet	1/1	Rev.	0
Model	1P3T SMD RIGHT ANGLE		Drawing name		SS1302AME-LLR-R			