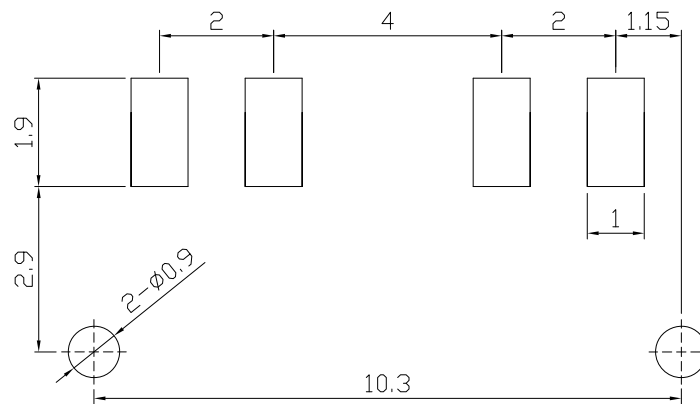
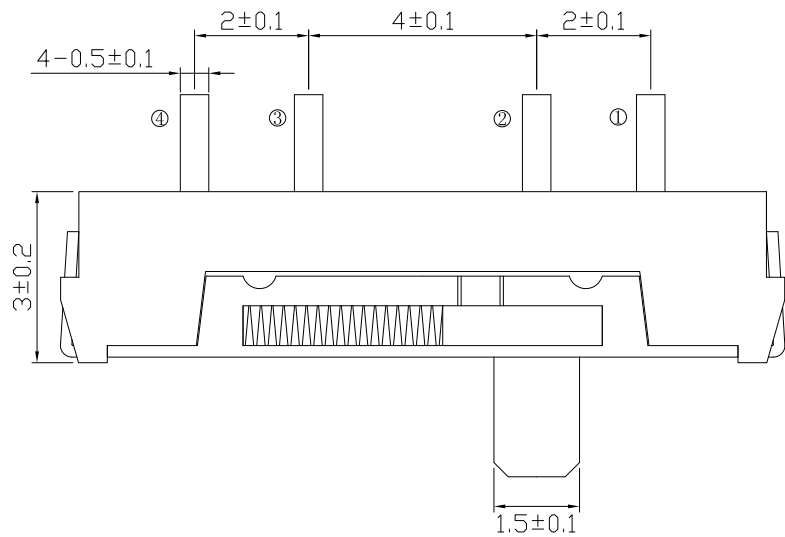
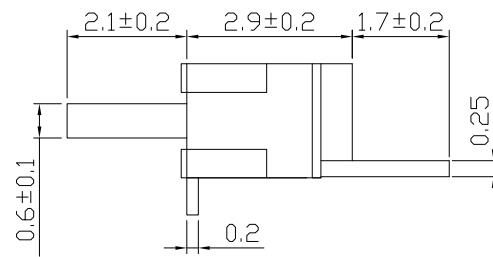
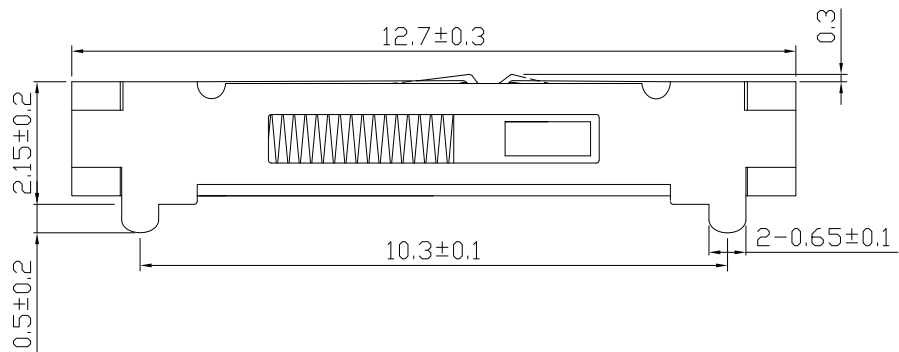
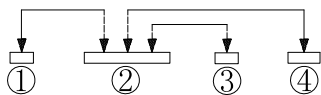


RevNo	Revision note	Date	Signature



P.C.B LAND DIMENSION



CIRCUIT DIAGRAM

NOTE
GENERAL TOLERANCE : +/- 0.2 mm

Designed by	L.Y.D		CHAMPWAY 冠泰電子有限公司 CHAMPWAY ELECTRONICS CO., LTD.	
Checked by			Scale	1/1
Approved by		Unit	mm	Date
Item	SLIDE SWITCH	Sheet	1/1	Rev.
Model	1P3T SMD RIGHT ANGLE	Tool	A-Cad	0
Drawing name		SS1302AME-SLR-R		