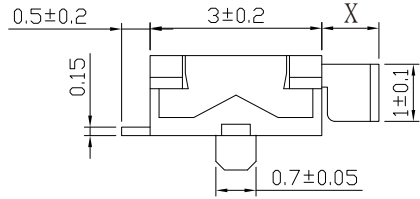
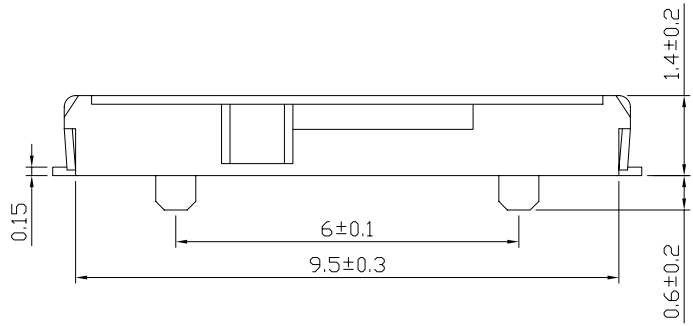
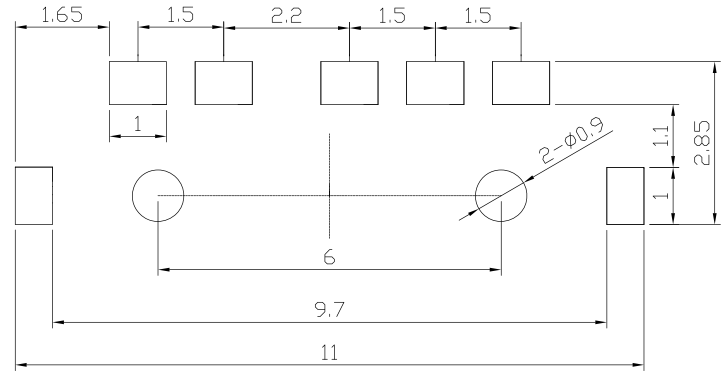
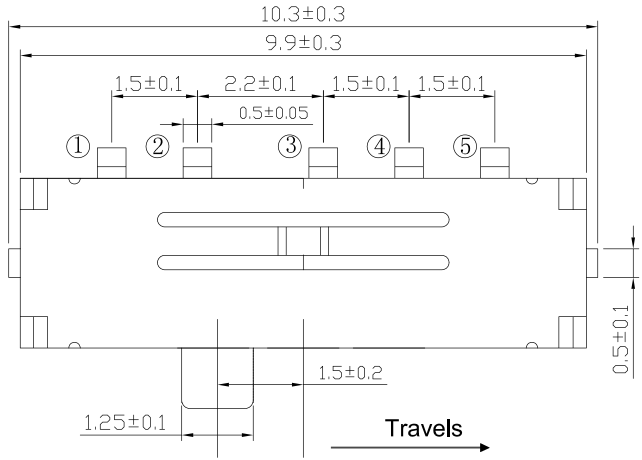


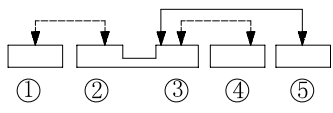
RevNo	Revision note	Date	Signature



PART NO.	X (mm)
SS1303AME-G1-LSR-R	1.0
SS1303AME-G2-LSR-R	2.0



P.C.B LAND DIMENSION



CIRCUIT DIAGRAM

NOTE
GENERAL TOLERANCE : +/- 0.2 mm

Designed by	L.Y.D		 冠泰電子有限公司 CHAMPWAY ELECTRONICS CO., LTD.							
Checked by			Unit	mm	Scale	1/1	Date	2011.10.14		
Approved by		Item	SLIDE SWITCH		Tool	A-Cad	Sheet	1/1	Rev.	0
		Model	1P3T SMD RIGHT ANGLE		Drawing name	SS1303AME-G*-LSR-R				