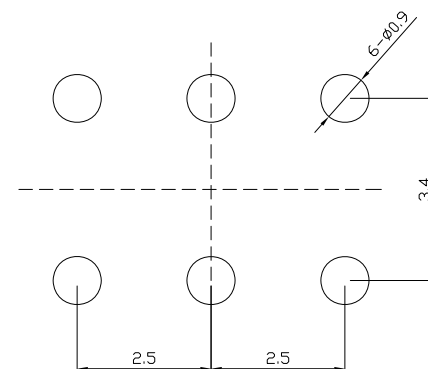
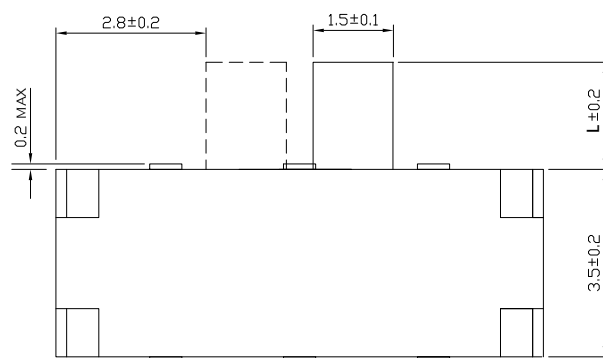
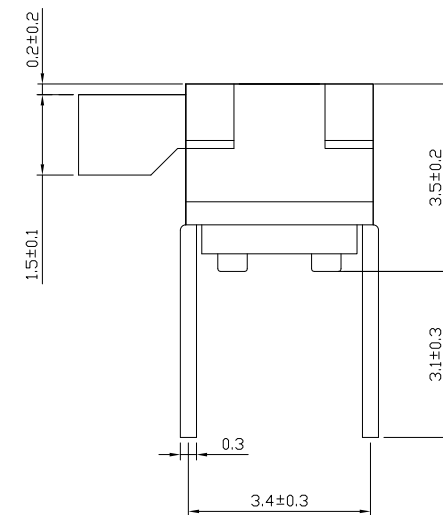
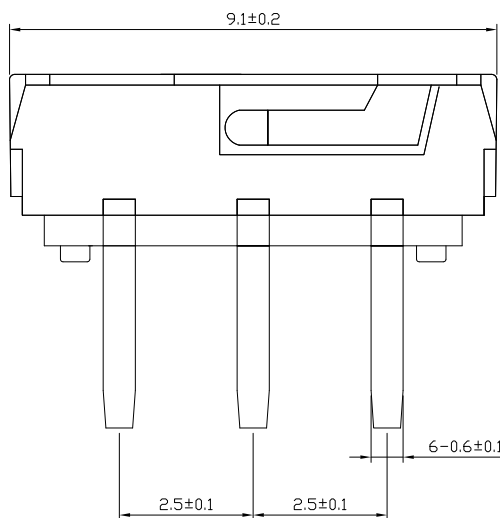


RevNo	Revision note	Date	Signature

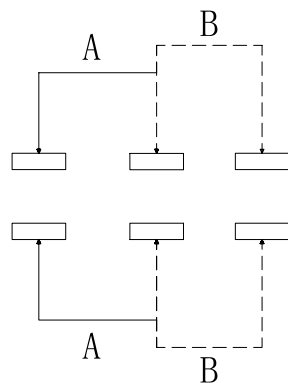
NOTE

1. RATING : DC 12V 50mA
2. CONTACT RESISTANCE : 100mΩMAX
3. GENERAL TOLERANCE : +/- 0.3 mm
4. MANUFACTURING SPECIFICATION WOULD BE ACCORDANCE WITH WT0158

PART NO.	L(mm)	KNOB COLOR
SS2206AH-G2-LLR-B	2.0	BLACK
SS2206AH-G3-LLR-B	3.0	BLACK
SS2206AH-G4-LLR-B	4.0	BLACK
SS2206AH-G2-WLLR-B	2.0	WHITE
SS2206AH-G3-WLLR-B	3.0	WHITE
SS2206AH-G4-WLLR-B	4.0	WHITE



P.C.B LAND DIMENSION



CIRCUIT DIAGRAM

Designed by	L.Y.D		 冠泰電子有限公司 CHAMPWAY ELECTRONICS CO., LTD.					
Checked by								
Approved by		Unit	mm	Scale	1/1	Date	2011.10.14	
Item	SLIDE SWITCH		Tool	A-Cad	Sheet	1/1	Rev.	0
Model	2P2T RIGHT ANGLE DIP		Drawing name					SS2206AH-G*-*LLR-B