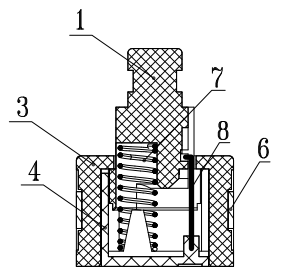
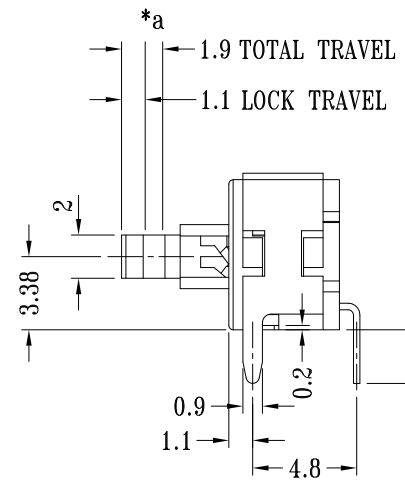
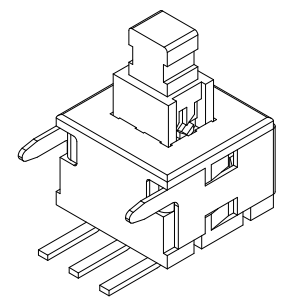
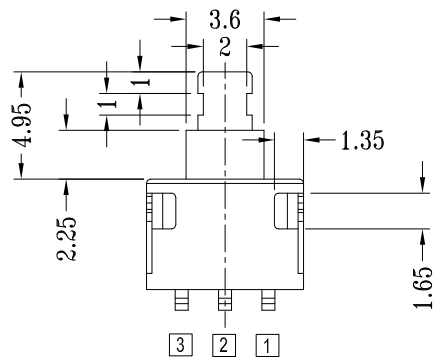
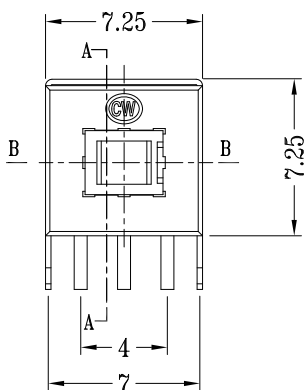
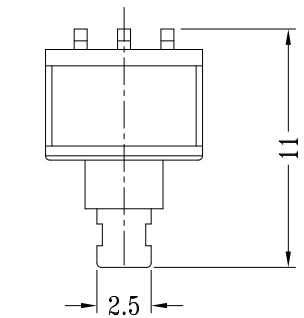
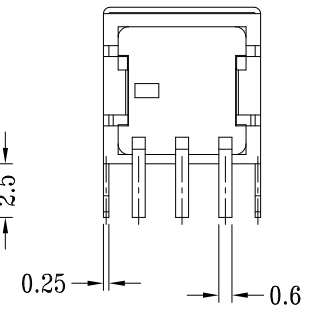


CAD FILE:

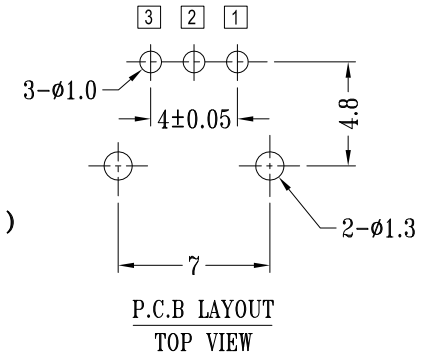
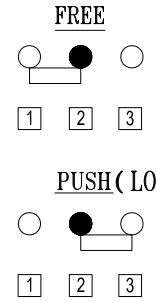


截面 B-B



截面 A-A

SCHEMATIC



- 1.OPERATION: LOCK
- 2.RATING: 12V DC 50mA
- 3.CONTACT RESISTANCE: 100 mΩ MAX.
- 4.INSULATION RESISTANCE: 250V DC ,100 MΩ MIN.
- 5.OPERATION FORCE: 200±50 gf
- 6.OPERATION TEMPERATURE RANGE:-20°C~+70°C
- 7.OPERATION LIFE: 20,000 CYCLES

注：“*”表示关键尺寸(3个).

NO.	PARTS	MATERIALS	Q'TY	FINISH	TOLERANCE	DATE	DESCRIPTIONS OF REVISION	APPD.		
8	STICK	SUS304	1	NATURAL	UNLESS SPECIFIED	A1	2017-06-23	因成品扣合力不足, 对胶座两边卡位加胶、胶盖内卡位上下各增加缺口结构	曾鹏	
7	SPRING	SUS304	1	NATURAL		A	2017-02-13	初版	曾鹏	
6	FRAME	SUS304	1	Sn PLATED	WITHIN 1.5mm : ±0.1mm	ISSUE	DATE	DESCRIPTIONS OF REVISION	APPD.	
5	METAL TERMINAL	BRASS STRIP	3	Ag PLATED	OVER 1.5mm : ±0.2mm	TITLE : PUSH SWITCH				
4	CASE	PPA	1	BLACK	MODEL: PS058AHP-CLR-R		UNIT : mm	DRWG NO.: PS058AHP-CLR		
3	COVER	PPA	1	BLACK			SCALE: 2:1	DWN.	张俊	2017-02-13
2	CONTACT PIECE	PBS C5210R-EH	6	Ag CLAD				CHK'D	黄锦效	2017-02-13
1	KNOB	PPA	1	WHITE				APPD.	曾鹏	2017-02-13

