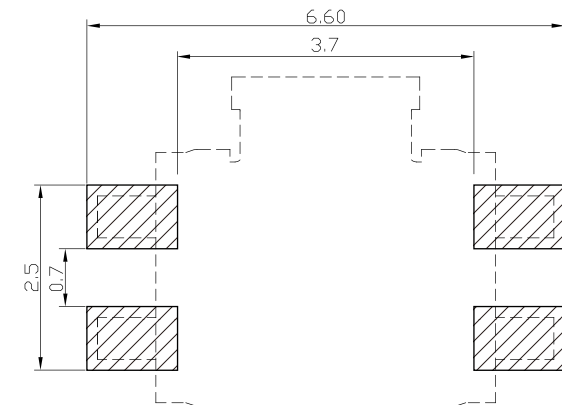
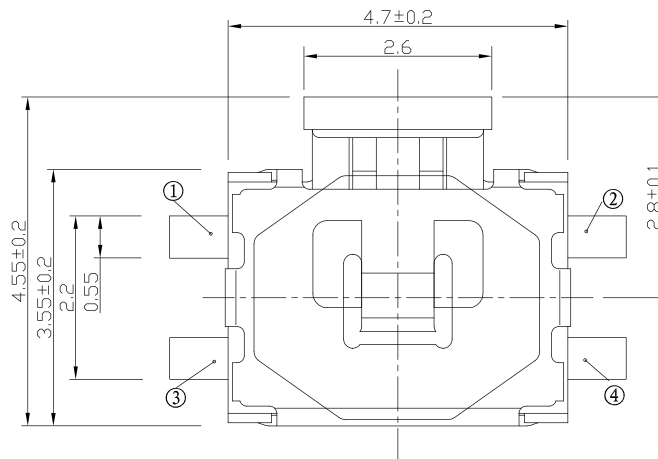
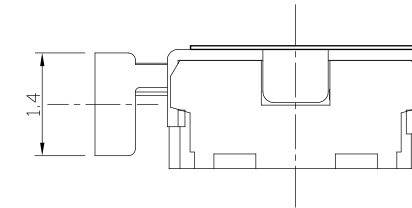
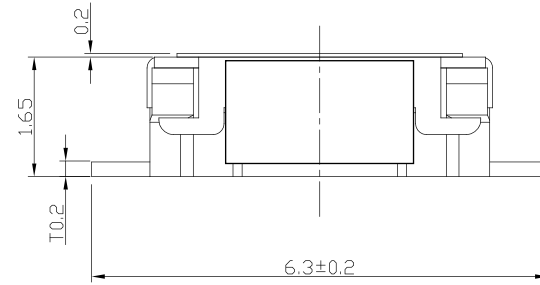


RevNo	Revision note	Date	Signature

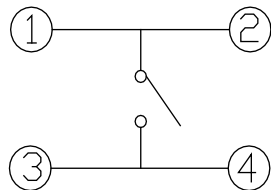
NOTE

1. RATING : DC 12V 50mA
2. CONTACT RESISTANCE : 100mΩ MAX
3. GENERAL TOLERANCE : +/- 0.3 mm
4. MANUFACTURING SPECIFICATION WOULD BE ACCORDANCE WITH WT0158
5. PART NO.(P/N.):

TS101A2M - * R - * - R
 3.5X4.7 RA SMD
 PACKING R=REEL
 □=WITHOUT MYLAR
 T=MYLAR
 OPERATING FORCE H=220gf



P.C.B LAND DIMENSION



CIRCUIT DIAGRAM

Designed by	L.Y.D		 冠泰電子有限公司 CHAMPWAY ELECTRONICS CO., LTD.					
Checked by			Unit	mm	Scale	1/1	Date	2011.10.14
Approved by		Item	Tactile Switch		Tool	A-Cad	Sheet	1/1
Model	3.5X4.7 Horizontal Flat		Drawing name	TS101A2M- * R-T-R		Rev.	0	