

RevNo	Revision note	Date	Signature

NOTE

1. RATING : DC 12V 50mA
2. CONTACT RESISTANCE : 100mΩ MAX
3. GENERAL TOLERANCE : ±0.2mm
4. MANUFACTURING SPECIFICATION WOULD BE ACCORDANCE WITH WT0158
5. PART NO.(P/N.):

TS401A1H - * * * R - B

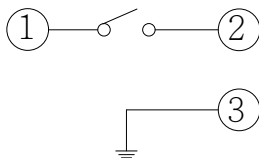
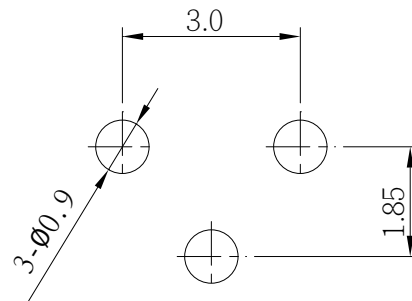
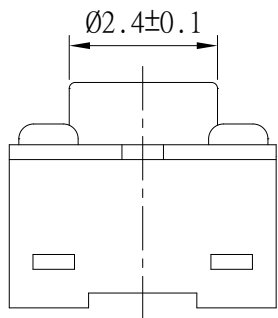
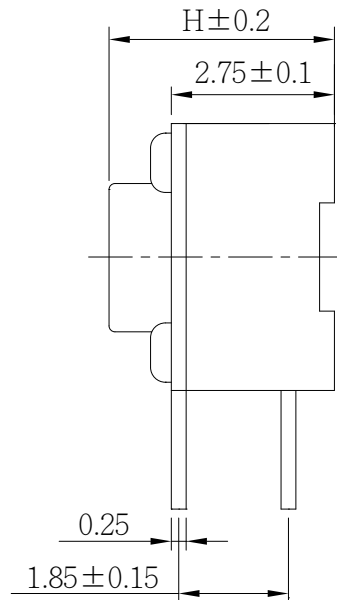
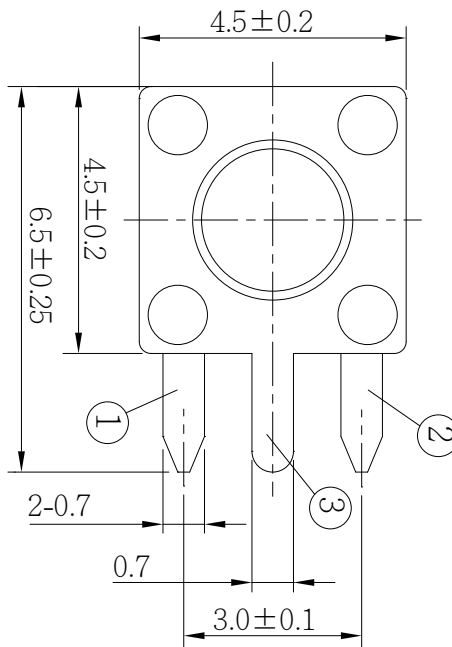
4.5X4.5 RIGHT ANGLE

PACKING B=BAG

OPERATING FORCE
 A=100gf
 B=160gf
 C=260gf

DIMENSION "H"
 038=3.8mm
 043=4.3mm
 048=4.8mm
 050=5.0mm
 060=6.0mm
 070=7.0mm

STEM COLOR
 □=BLACK



CIRCUIT DIAGRAM

TS401A1H-070 * R-B	7.0 mm
TS401A1H-060 * R-B	6.0 mm
TS401A1H-050 * R-B	5.0 mm
TS401A1H-048 * R-B	4.8 mm
TS401A1H-043 * R-B	4.3 mm
TS401A1H-038 * R-B	3.8 mm
MODEL NO.	"H"

Designed by	L.Y.D		 冠泰電子有限公司 CHAMPWAY ELECTRONICS CO., LTD.					
Checked by			Unit	mm	Scale	1/1	Date	2011.10.14
Approved by		Item	Tactile Switch		Tool	A-Cad	Sheet	1/1
		Model	4.5X4.5 Right Angle Dip		Drawing name	TS401A1H- * * * R-B		