

RevNo	Revision note	Date	Signature

NOTE

1. RATING : DC 12V 50mA
2. CONTACT RESISTANCE : 100mΩMAX
3. GENERAL TOLERANCE : +/- 0.3 mm
4. MANUFACTURING SPECIFICATION
WOULD BE ACCORDANCE WITH WT0158
5. PART NO.(P/N.):

TS401AH - * * * R - B

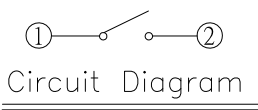
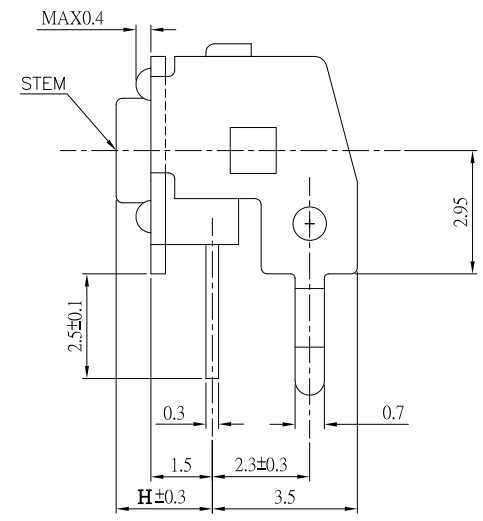
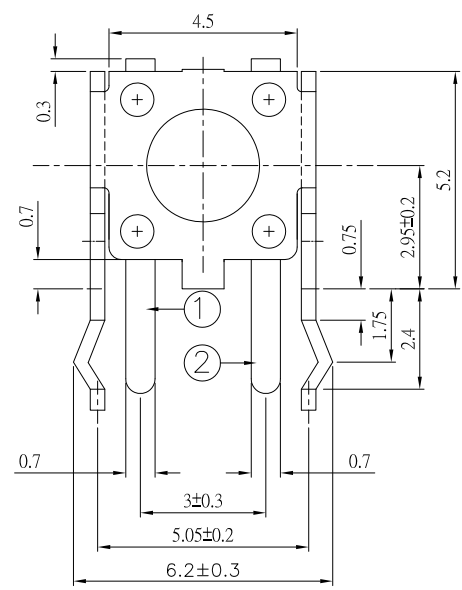
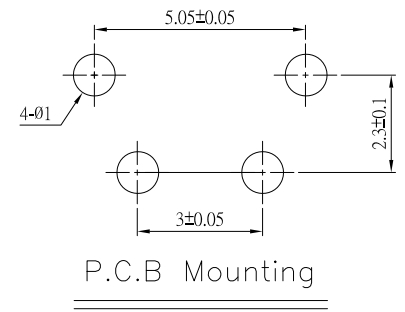
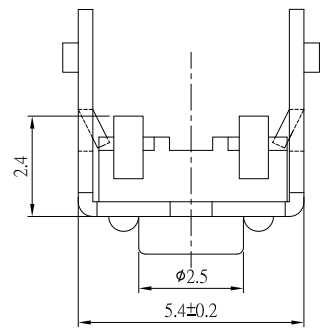
4.5X4.50
RIGHT ANGLE

DIMENSION "H"
033=3.3mm
045=4.5mm

OPERATING FORCE
A=100gf
B=160gf
C=260gf

STEM COLOR
U=BLUE
Y=YELLOW
G=GREEN

PACKING
B=BAG



TS401AH-045UCR-B	4.5 mm	BLUE	260 ± 70 gf
TS401AH-045GBR-B	4.5 mm	GREEN	160 ± 50 gf
TS401VH-045YAR-B	4.5 mm	YELLOW	100 ± 50 gf
TS401AH-033UCR-B	3.3 mm	BLUE	260 ± 70 gf
TS401AH-033GBR-B	3.3 mm	GREEN	160 ± 50 gf
TS401AH-033YAR-B	3.3 mm	YELLOW	100 ± 50 gf
MODEL NO.	"H"	STEM COLOR	FORCE

Designed by	L.Y.D		 冠泰電子有限公司 CHAMPWAY ELECTRONICS CO., LTD.					
Checked by			Unit	mm	Scale	1/1	Date	2011.10.14
Approved by		Item	Tactile Switch		Tool	A-Cad	Sheet	1/1
Model	4.5X4.5 RIGHT ANGLE DIP		Drawing name	TS401AH- * * * R-B				