

RevNo	Revision note	Date	Signature

NOTE

1. RATING : DC 12V 50mA
2. CONTACT RESISTANCE : 100mΩ MAX
3. GENERAL TOLERANCE : +/- 0.3 mm
4. MANUFACTURING SPECIFICATION
WOULD BE ACCORDANCE WITH WT0158
5. PART NO.(P/N.):

TS600A1H - * * * R - B

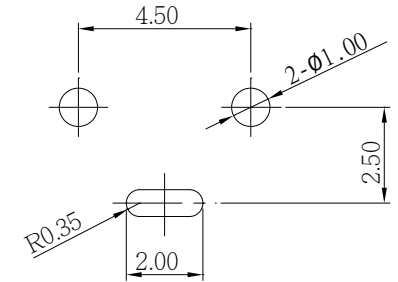
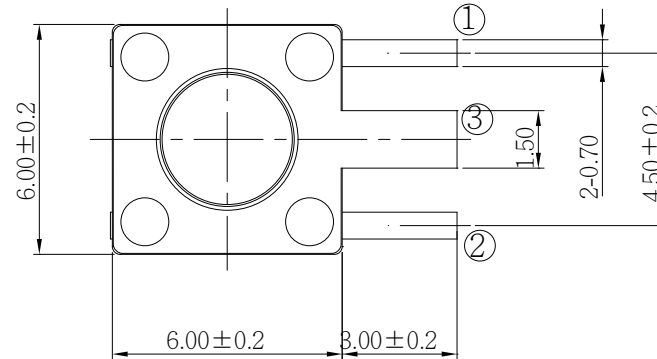
6.0X6.0
RIGHT ANGLE

DIMENSION "H"
043=4.3mm
045=4.5mm
050=5.0mm
055=5.5mm
...

OPERATING FORCE
A=100gf
B=160gf
C=260gf
...

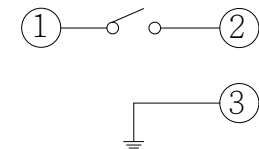
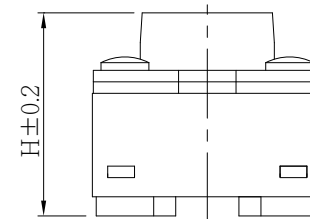
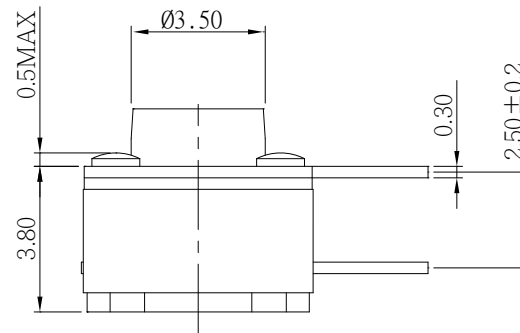
STEM COLOR
□=BLACK
N=BROWN
R=RED
...

PACKING
B=BAG



P.C.B LAND DIMENSION

TS600A1H-170**R-R	17.0 mm
TS600A1H-130**R-R	13.0 mm
TS600A1H-125**R-R	12.5 mm
TS600A1H-120**R-R	12.0 mm
TS600A1H-115**R-R	11.5 mm
TS600A1H-110**R-R	11.0 mm
TS600A1H-105**R-R	10.5 mm
TS600A1H-100**R-R	10.0 mm
TS600A1H-095**R-R	9.5 mm
TS600A1H-090**R-R	9.0 mm
TS600A1H-085**R-R	8.5 mm
TS600A1H-080**R-R	8.0 mm
TS600A1H-075**R-R	7.5 mm
TS600A1H-070**R-R	7.0 mm
TS600A1H-065**R-B	6.5 mm
TS600A1H-060**R-B	6.0 mm
TS600A1H-055**R-B	5.5 mm
TS600A1H-050**R-B	5.0 mm
TS600A1H-045**R-B	4.5 mm
TS600A1H-043**R-B	4.3 mm
MODEL NO.	"H"



CIRCUIT DIAGRAM

Designed by L.Y.D		 冠泰電子有限公司 CHAMPWAY ELECTRONICS CO., LTD.		
Checked by		Unit mm	Scale 1/1	Date 2011.10.14
Approved by	Item Tactile Switch		Sheet 1/1	Rev. 0
Model 6.0X6.0 Horizontal	Tool A-Cad		Drawing name TS600A1H- * * * R-B	