

NOTE

1. RATING : DC 12V 50mA
2. CONTACT RESISTANCE : 100mΩ MAX
3. GENERAL TOLERANCE : +/- 0.3 mm
4. MANUFACTURING SPECIFICATION
WOULD BE ACCORDANCE WITH WT0158
5. PART NO.(P/N.):

TS600AMS - * * * R - R

6.0X6.0 SMD
RIGHT ANGLE

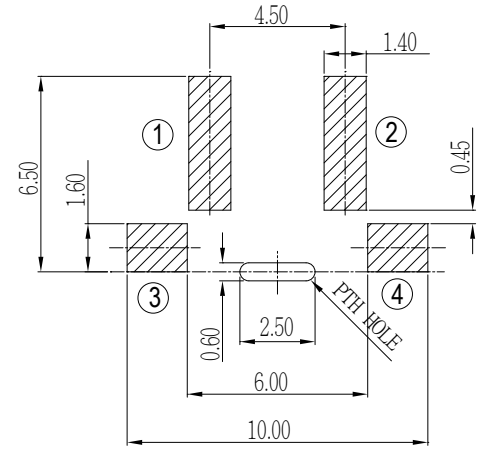
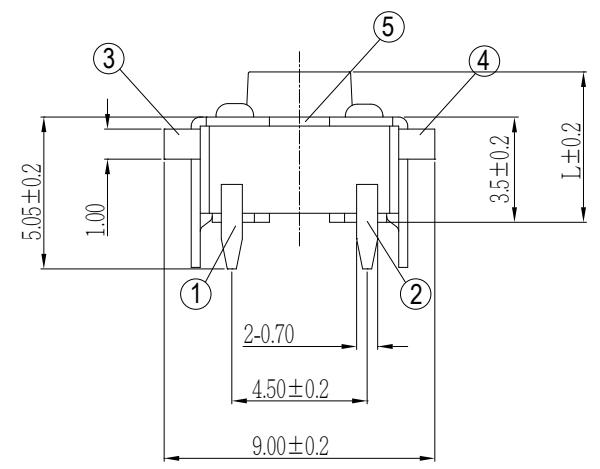
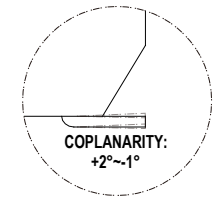
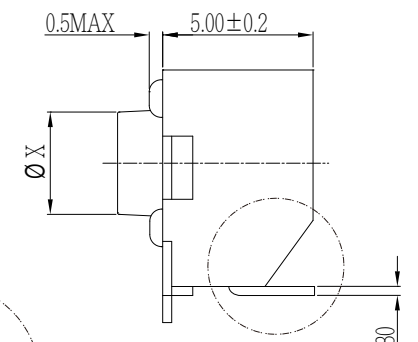
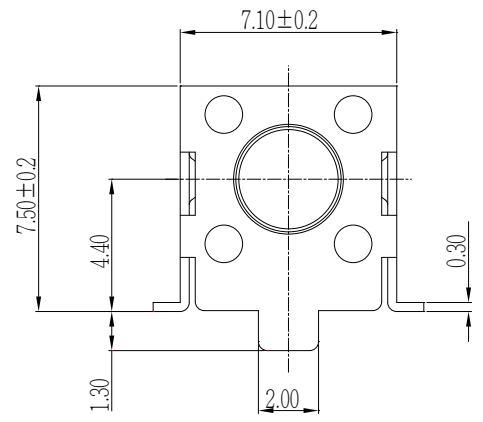
PACKING
R=REEL

DIMENSION "L"
043=4.3mm
045=4.5mm
050=5.0mm
055=5.5mm
...

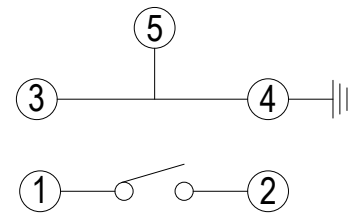
OPERATING FORCE
A=100gf
B=160gf
C=260gf
...

STEM COLOR
□=BLACK
N=BROWN
R=RED
...

TS600AMS-170**R-R	17.0 mm	3.0mm
TS600AMS-130**R-R	13.0 mm	3.0mm
TS600AMS-125**R-R	12.5 mm	3.0mm
TS600AMS-120**R-R	12.0 mm	3.0mm
TS600AMS-115**R-R	11.5 mm	3.0mm
TS600AMS-110**R-R	11.0 mm	3.0mm
TS600AMS-105**R-R	10.5 mm	3.0mm
TS600AMS-100**R-R	10.0 mm	3.0mm
TS600AMS-095**R-R	9.5 mm	3.0mm
TS600AMS-090**R-R	9.0 mm	3.0mm
TS600AMS-085**R-R	8.5 mm	3.0mm
TS600AMS-080**R-R	8.0 mm	3.3mm
TS600AMS-075**R-R	7.5 mm	3.3mm
TS600AMS-070**R-R	7.0 mm	3.3mm
TS600AMS-065**R-R	6.5 mm	3.3mm
TS600AMS-060**R-R	6.0 mm	3.3mm
TS600AMS-055**R-R	5.5 mm	3.4mm
TS600AMS-050**R-R	5.0 mm	3.4mm
TS600AMS-045**R-R	4.5 mm	3.5mm
TS600AMS-043**R-R	4.3 mm	3.5mm
MODEL NO.	"L"	"X"



P.C.B LAND DIMENSION



CIRCUIT DIAGRAM

RevNo	Revision note	Date	Signature
A	Chance cover dimension	2017.08.28	Y.S.L
B	Add pin 5 circuit & PHT hole layout mark	2017.09.01	Y.S.L

Designed by	L.Y.D		 冠泰電子有限公司 CHAMPWAY ELECTRONICS CO., LTD.							
Checked by			Unit	mm	Scale	1/1	Date	2011.10.14		
Approved by		Item		Tactile Switch	Tool	A-Cad	Sheet	1/1	Rev.	0
Model		6.0X6.0 Right Angle SMD		Drawing name		TS600AMS-* * *R-R				