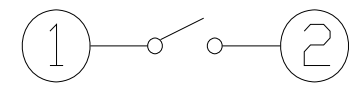
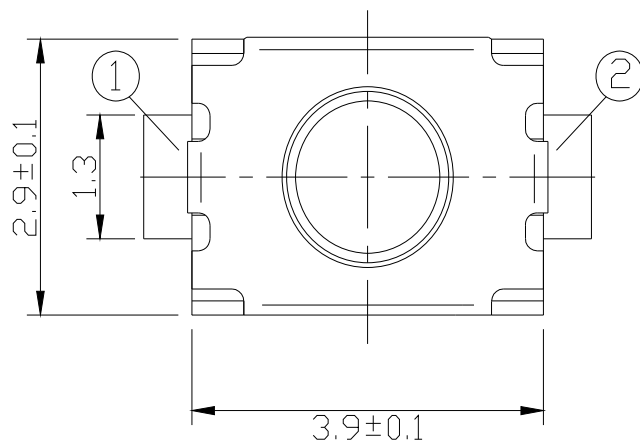


RevNo	Revision note	Date	Signature

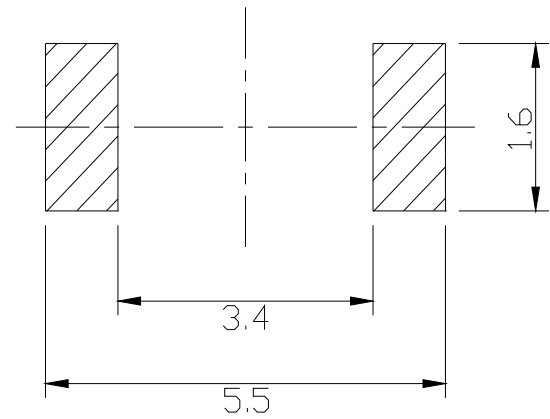
NOTE

1. RATING : DC 12V 50mA
2. CONTACT RESISTANCE : 100mΩMAX
3. GENERAL TOLERANCE : +/- 0.2 mm
4. MANUFACTURING SPECIFICATION
WOULD BE ACCORDANCE WITH WT0158
5. PART NO.(P/N.):

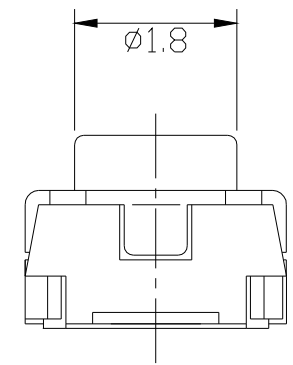
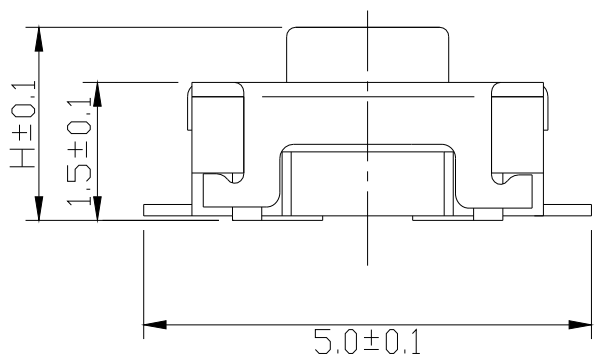
TS100VM - * * * R - R
 2.9X3.9 VERTICAL F TYPE PACKING R=REEL
 OPERATING FORCE
 B=160gf
 C=260gf
 DIMENSION "H"
 020=2.0mm
 025=2.5mm
 030=3.0mm
 STEM COLOR
 □=BLACK



CIRCUIT DIAGRAM



P.C.B LAND DIMENSION



Designed by	L.Y.D		 冠泰電子有限公司 CHAMPWAY ELECTRONICS CO., LTD.				
Checked by							
Approved by		Unit	mm	Scale	1/1	Date	2011.10.14
Item	Tactile Switch	Tool	A-Cad	Sheet	1/1	Rev.	0
Model	2.9X3.9 F Type	Drawing name		TS100VM- * * * R-R			