

RevNo	Revision note	Date	Signature

NOTE

1. RATING : DC 12V 50mA
2. CONTACT RESISTANCE : 100mΩMAX
3. GENERAL TOLERANCE : +/- 0.3 mm
4. MANUFACTURING SPECIFICATION
WOULD BE ACCORDANCE WITH WT0158
5. PART NO.(P/N):

TS303VM - 025 * * R - R

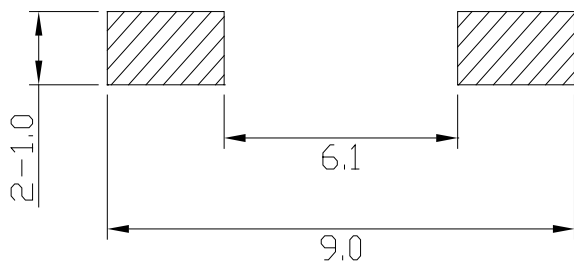
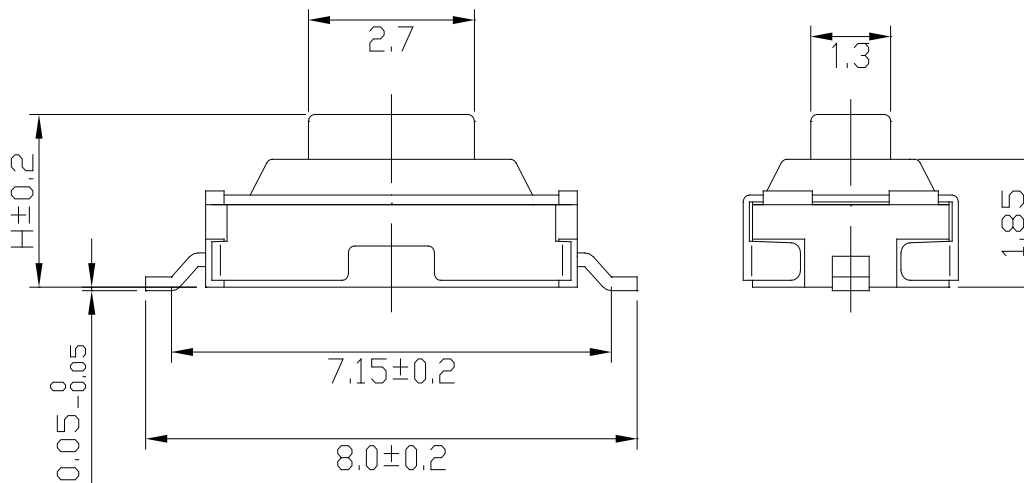
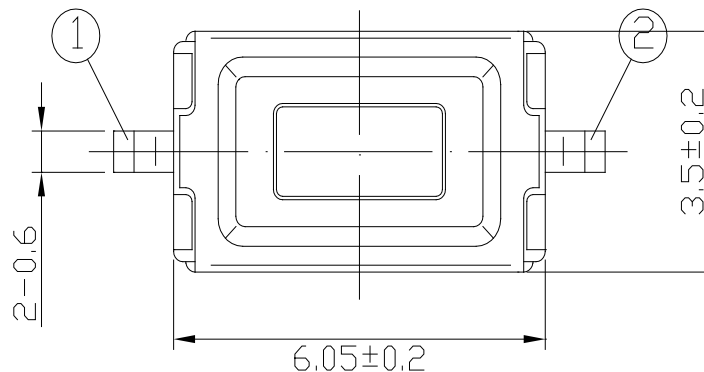
3.7X6.1 VERTICAL

DIMENSION "H"
025=2.5mm

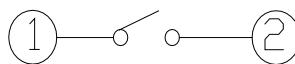
OPERATING FORCE
A=100gf
B=160gf
C=260gf
D=320gf

STEM COLOR
□=DARK GRAY
W=WHITE
R=RED

PACKING
R=REEL



P.C.B LAND DIMENSION



CIRCUIT DIAGRAM

TS303VM-025**R-R	2.5 mm
MODEL NO.	"H"

Designed by	L.Y.D						
Checked by			冠泰電子有限公司 CHAMPWAY ELECTRONICS CO., LTD.				
Approved by		Unit	mm	Scale	1/1	Date	2011.10.14
Item	Tactile Switch	Tool	A-Cad	Sheet	1/1	Rev.	0
Model	3.7X6.1 SMT	Drawing name		TS303VM-025 * * R-R			