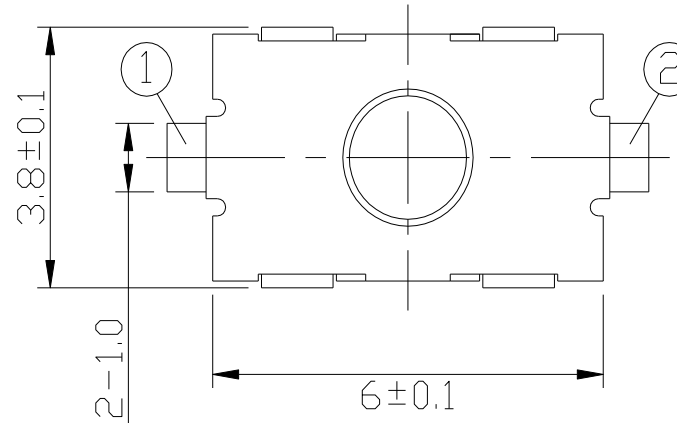


RevNo	Revision note	Date	Signature

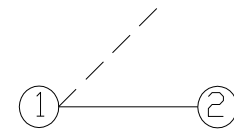
NOTE

1. RATING : DC 12V 50mA
2. CONTACT RESISTANCE : 100mΩ MAX
3. GENERAL TOLERANCE : +/- 0.3 mm
4. MANUFACTURING SPECIFICATION
WOULD BE ACCORDANCE WITH WT0158
5. PART NO.(P/N):

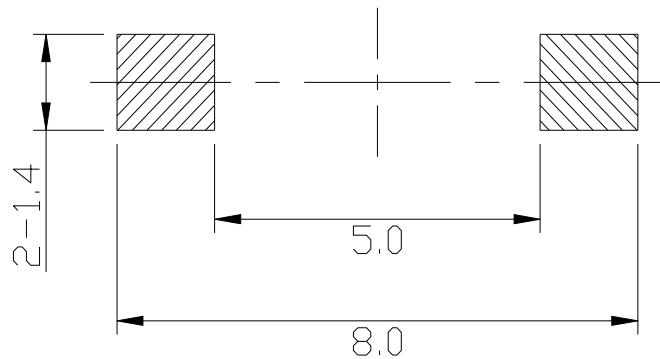
TS304VM - 025 * * R - R
 3.8X6.0 VERTICAL
 DIMENSION "H"
 025=2.5mm
 OPERATING FORCE
 C=260gf
 E=450gf
 STEM COLOR
 U=BLUE
 PACKING
 R=REEL



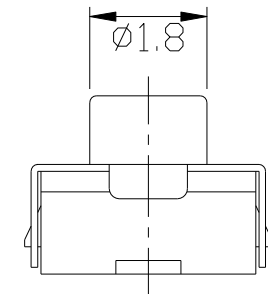
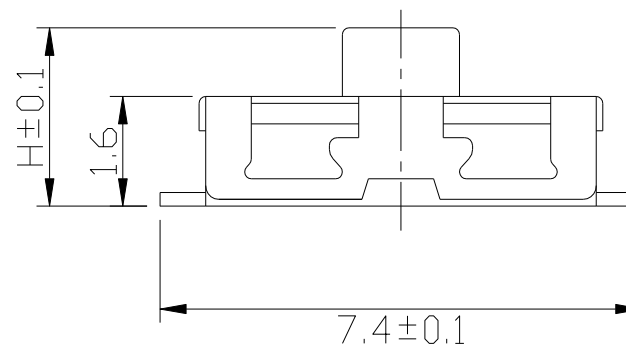
NORMAL CLOSE



CIRCUIT DIAGRAM



P. C. B LAND DIMENSION



T304VM-025**R-R	2.5 mm
MODEL NO.	"H"

Designed by	L.Y.D				
Checked by					
Approved by		Unit	mm	Scale	1/1
		Date	2011.10.14		
Item	Tactile Switch		Tool	Sheet	Rev.
			A-Cad	1/1	0
Model	3.8X6.0 SMT VERTICAL		Drawing name	TS304VM-025 * * R-R	