

**NOTE**

1. RATING : DC 12V 50mA
2. CONTACT RESISTANCE : 100mΩ MAX
3. GENERAL TOLERANCE : +/- 0.3 mm
4. MANUFACTURING SPECIFICATION  
WOULD BE ACCORDANCE WITH WT0158
5. PART NO.(P/N.):

TS309VM - 025 \* \* R - R

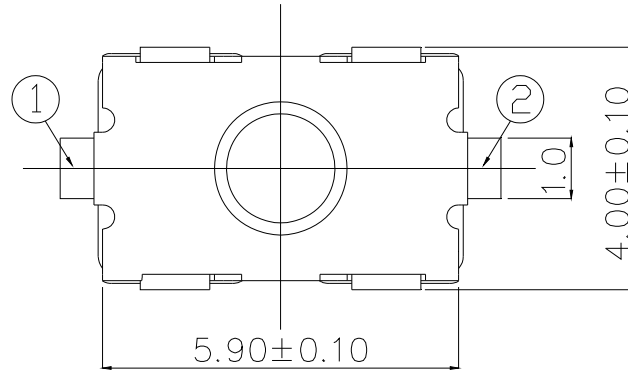
4.0X5.9  
VERTICAL

DIMENSION "H"  
025=2.5mm

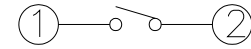
OPERATING FORCE  
G=200gf  
M=300gf  
N=400gf

STEM COLOR  
□ = TRANSPARENT

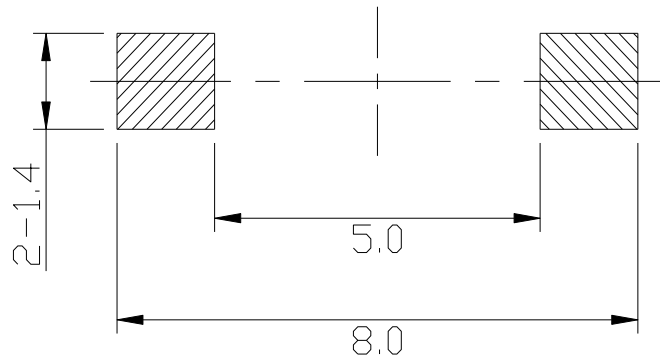
PACKING  
R=REEL



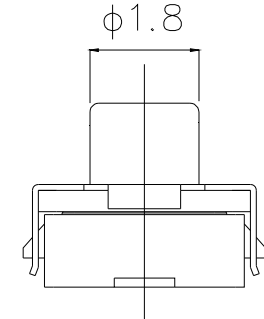
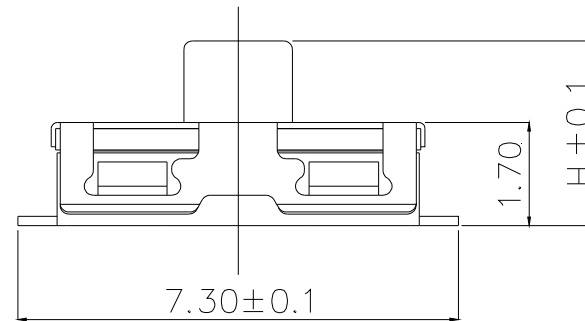
NORMAL OPEN



CIRCUIT DIAGRAM



P. C. B LAND DIMENSION



RevNo	Revision note	Date	Signature

T309VM-025**R-R	2.5 mm
MODEL NO.	"H"

Designed by	L.Y.D		 <b>冠泰電子有限公司</b> CHAMPWAY ELECTRONICS CO., LTD.				
Checked by							
Approved by		Unit	mm	Scale	1/1	Date	2011.10.14
Item	Tactile Switch		Tool	Sheet	1/1	Rev.	0
Model	4.0X5.9 SMT VERTICAL		Drawing name	TS309VM-025 * * R-R			