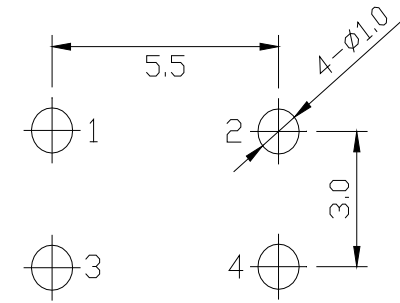
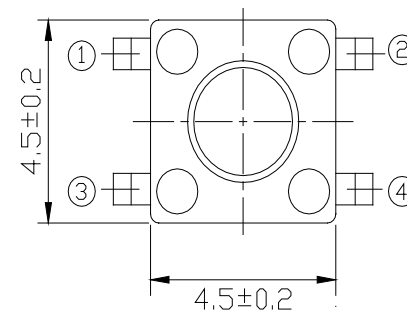


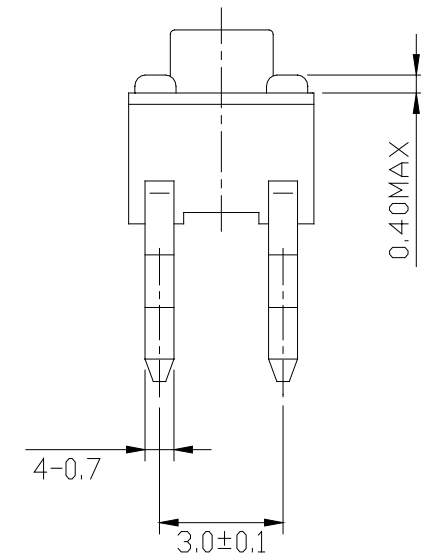
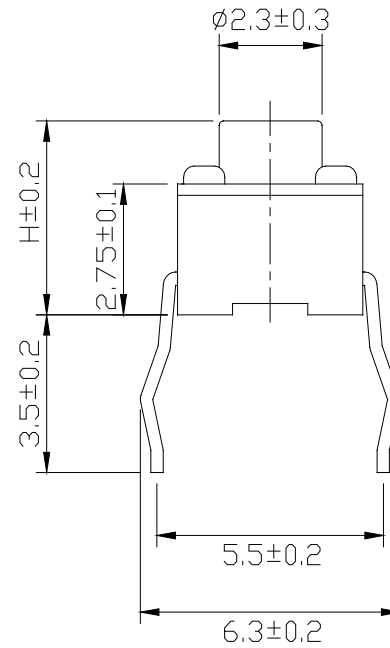
RevNo	Revision note	Date	Signature

NOTE

1. RATING : DC 12V 50mA
2. CONTACT RESISTANCE : 100mΩ MAX
3. GENERAL TOLERANCE : ±0.2mm
4. MANUFACTURING SPECIFICATION WOULD BE ACCORDANCE WITH WT0158
5. PART NO.(P/N.):



P.C.B LAND DIMENSION



TS401VH - * * * R - B

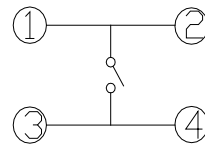
4.5X4.5 VERTICAL

PACKING B=BAG

OPERATING FORCE
A=100gf
B=160gf
C=260gf

DIMENSION "H"
038=3.8mm
043=4.3mm
048=4.8mm
050=5.0mm
060=6.0mm
070=7.0mm
080=8.0mm
095=9.5mm

STEM COLOR
□=BLACK



CIRCUIT DIAGRAM

TS401VH-095xR-B	9.5 mm
TS401VH-080xR-B	8.0 mm
TS401VH-070xR-B	7.0 mm
TS401VH-060xR-B	6.0 mm
TS401VH-050xR-B	5.0 mm
TS401VH-048xR-B	4.8 mm
TS401VH-043xR-B	4.3 mm
TS401VH-038xR-B	3.8 mm
MODEL NO.	"H"

Designed by	L.Y.D		 冠泰電子有限公司 CHAMPWAY ELECTRONICS CO., LTD.					
Checked by			Unit	mm	Scale	1/1	Date	2011.10.14
Approved by		Item	Tactile Switch		Tool	A-Cad	Sheet	1/1
Model	4.5X4.5 Through Hole	Drawing name	TS401VH-****R-B		Rev.	0		