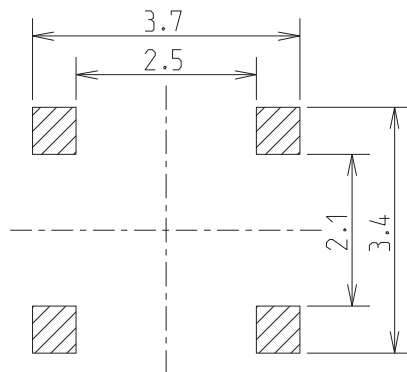
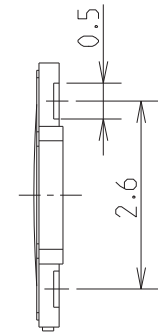
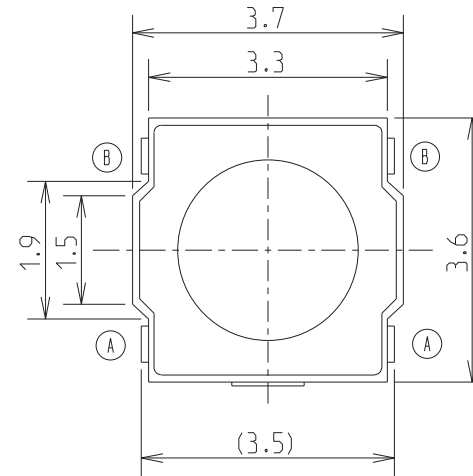
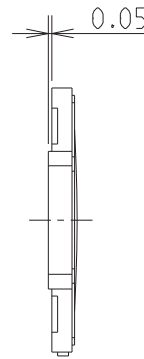


RevNo	Revision note	Date	Signature

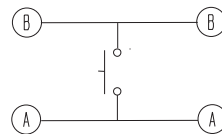
NOTE

1. RATING : DC 12V 50mA
2. CONTACT RESISTANCE : 100mΩ MAX
3. GENERAL TOLERANCE : ±0.2mm
4. MANUFACTURING SPECIFICATION
WOULD BE ACCORDANCE WITH WT0158
5. PART NO.(P/N.):

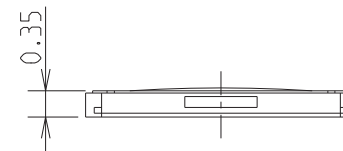
TS402V2M - 003 * R - R
 3.7X3.7 VERTICAL
 DIMENSION "H"
 003=0.35mm
 OPERATING FORCE
 B=160gf
 P=240gf
 PACKING
 R=REEL



P.C.B LAND DIMENSION



CIRCUIT DIAGRAM



Designed by	L.Y.D		CHAMPWAY 冠泰電子有限公司 CHAMPWAY ELECTRONICS CO., LTD.				
Checked by							
Approved by		Unit	mm	Scale	1/1	Date	2011.10.14
Item	Tactile Switch	Tool	A-Cad	Sheet	1/1	Rev.	0
Model	3.7X3.7 SMT	Drawing name		TS402V2M-003 * R-R			