

NOTE

1. RATING : DC 12V 50mA
2. CONTACT RESISTANCE : 100mΩMAX
3. GENERAL TOLERANCE : +/- 0.3 mm
4. MANUFACTURING SPECIFICATION WOULD BE ACCORDANCE WITH WT0158
5. PART NO.(P/N.):

TS500VM - * * * R - R

5.2 x 5.2 mm
VERTICAL

DIMENSION "H"

- 015=1.5mm
- 016=1.6mm
- 017=1.7mm
- 020=2.0mm
- 025=2.5mm
- 030=3.0mm
- 035=3.5mm
- 043=4.3mm

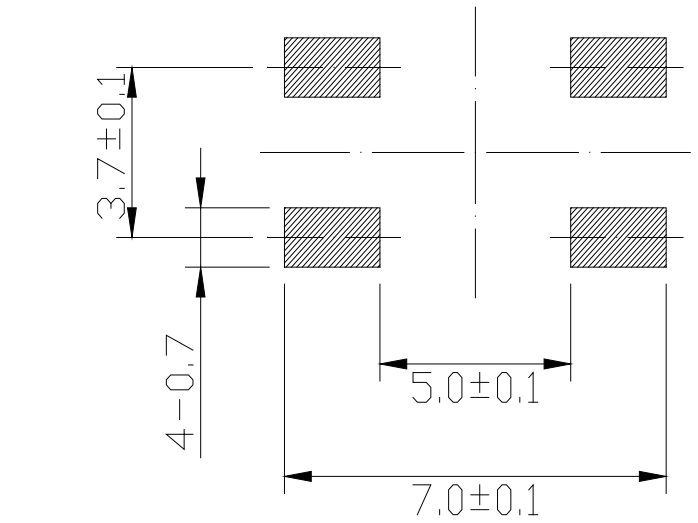
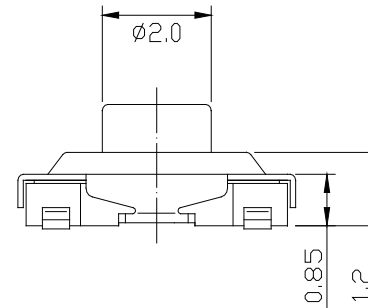
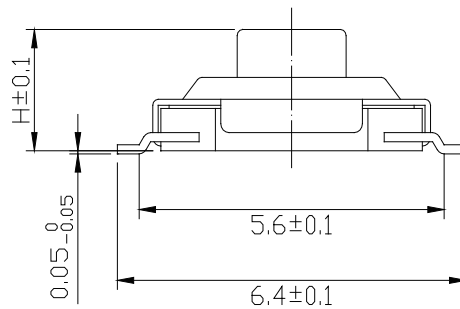
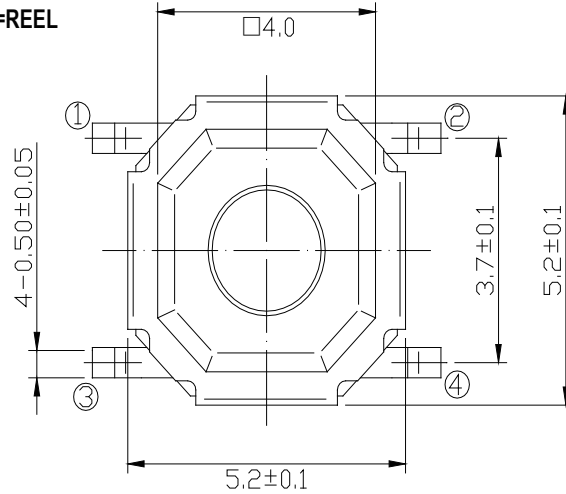
STEM

- = STANDARD
- B= BLACK
- W=WHITE

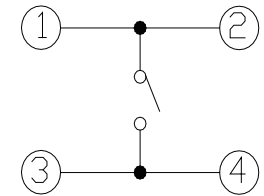
OPERATING FORCE

- A=100gf
- B=160gf
- C=260gf

PACKING
R=REEL



P.C.B LAND DIMENSION



CIRCUIT DIAGRAM

TS500VM-043 * * R-R	4.3 mm
TS500VM-035 * * R-R	3.5 mm
TS500VM-030 * * R-R	3.0 mm
TS500VM-025 * * R-R	2.5 mm
TS500VM-020 * * R-R	2.0 mm
TS500VM-017 * * R-R	1.7 mm
TS500VM-016 * * R-R	1.6 mm
TS500VM-015 * * R-R	1.5 mm
MODEL NO.	"H"

Designed by L.Y.D		 冠泰電子有限公司 CHAMPWAY ELECTRONICS CO., LTD.	
Checked by			
Approved by	Unit mm	Scale 1/1	Date 2011.10.14
Item Tactile Switch	Tool A-Cad	Sheet 1/1	Rev. 0
Model 5.2X5.2 SMD	Drawing name TS500VM- * * * R-R		