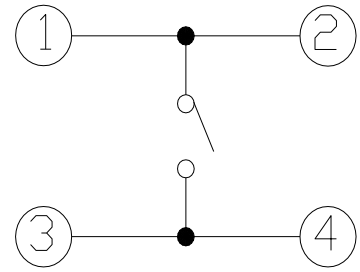
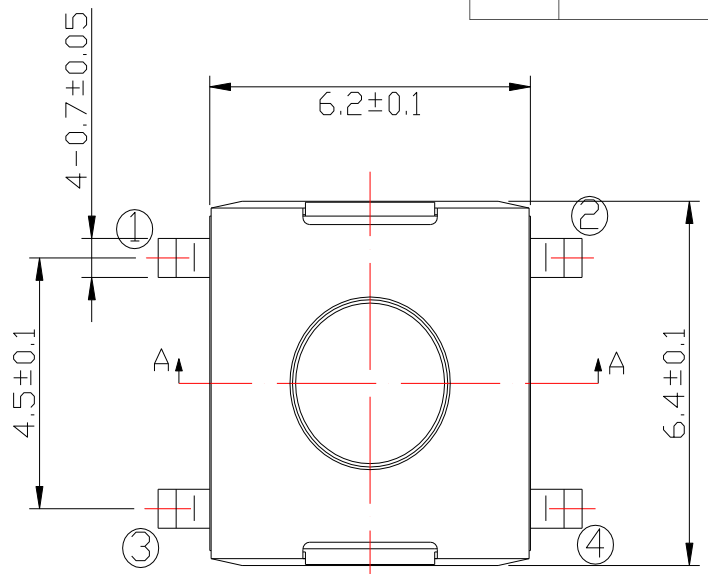


RevNo	Revision note	Date	Signature

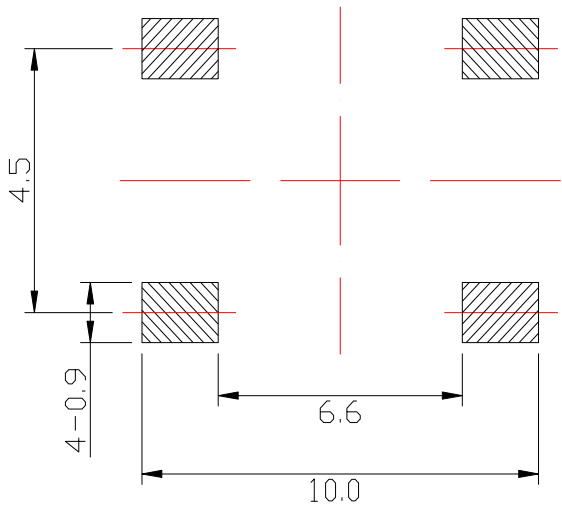
**NOTE**

1. RATING : DC 12V 50mA
2. CONTACT RESISTANCE : 100mΩMAX
3. GENERAL TOLERANCE : +/- 0.3 mm
4. MANUFACTURING SPECIFICATION  
WOULD BE ACCORDANCE WITH WT0158
5. PART NO.(P/N.):

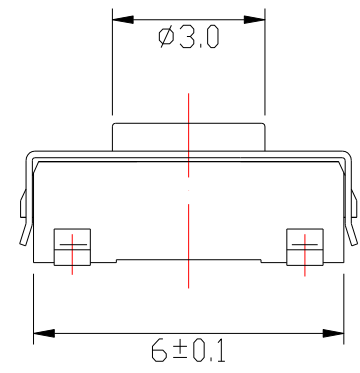
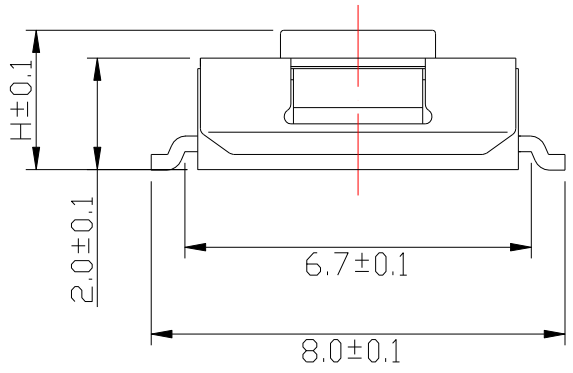
**TS603VM - \* \* \* R - R**  
 6.2X6.2 VERTICAL      **PACKING R=REEL**  
 DIMENSION "H"  
 025=2.5mm  
 031=3.1mm  
 035=3.5mm  
 OPERATING FORCE  
 A=100gf  
 B=160gf  
 C=260gf  
 STEM COLOR  
 □=BLACK  
 R=RED



CIRCUIT DIAGRAM



P. C. B LAND DIMENSION



TS603VM-035**R-R	3.5 mm
TS603VM-031**R-R	3.1 mm
TS603VM-025**R-R	2.5 mm
MODEL NO.	"H"

Designed by	L.Y.D		 <b>冠泰電子有限公司</b> <small>CHAMPWAY ELECTRONICS CO., LTD.</small>						
Checked by			Unit	mm	Scale	1/1	Date	2011.10.14	
Approved by		Item	Tactile Switch		Tool	Sheet	1/1	Rev.	0
Model	6.2X6.2 Non Earth Terminal		Drawing name	TS603VM- * * * R-R					