

RevNo	Revision note	Date	Signature

NOTE

1. RATING : DC 12V 50mA
2. CONTACT RESISTANCE : 100mΩMAX
3. GENERAL TOLERANCE : +/- 0.3 mm
4. MANUFACTURING SPECIFICATION
WOULD BE ACCORDANCE WITH WT0158
5. PART NO.(P/N.):

TS604VM - * * * R - R

6.2 x 6.2 mm
VERTICAL

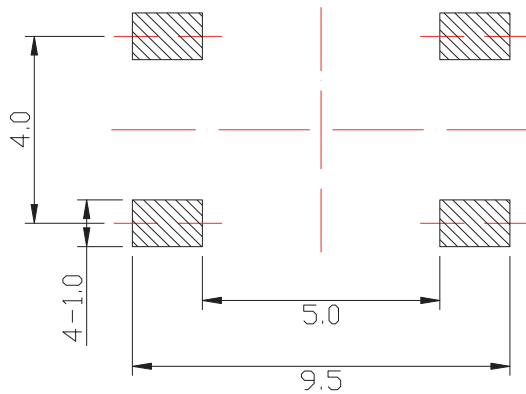
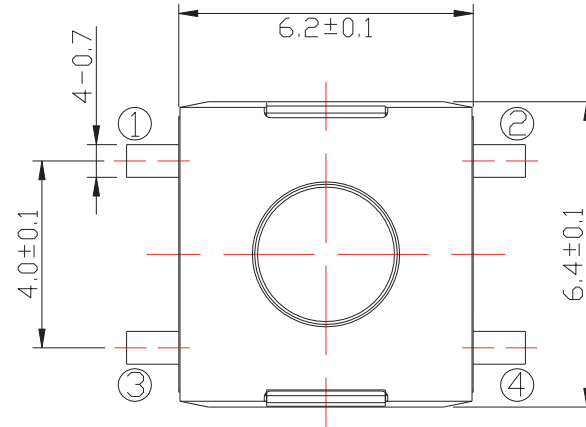
DIMENSION "H"

- 025=2.5mm
- 031=3.1mm
- 035=3.5mm

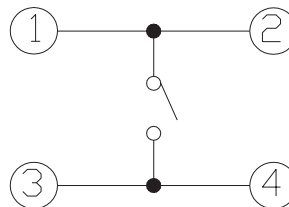
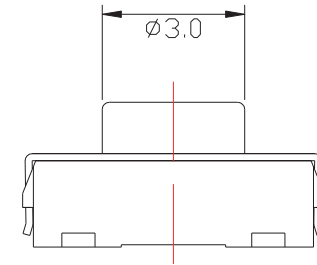
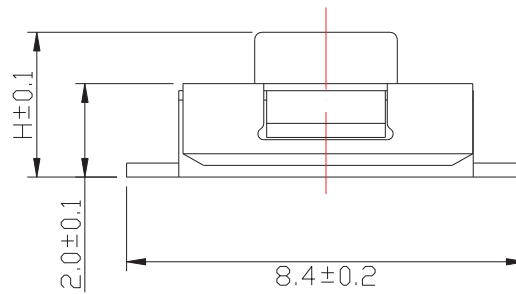
OPERATING FORCE
A=100gf
B=160gf
C=260gf

STEM
□=BLACK
N=BROWN
R=RED

PACKING
R=REEL



P.C.B LAND DIMENSION



CIRCUIT DIAGRAM

TS604VM-035 * R-R	3.5 mm
TS604VM-031 * R-R	3.1 mm
TS604VM-025 * R-R	2.5 mm
MODEL NO.	"H"

Designed by L.Y.D		 冠泰電子有限公司 CHAMPWAY ELECTRONICS CO., LTD.	
Checked by			
Approved by	Unit mm	Scale 1/1	Date 2011.10.14
Item Tactile Switch	Tool A-Cad	Sheet 1/1	Rev. 0
Model 6.2X6.2 SMD	Drawing name TS604VM- * * * R-R		