

RevNo	Revision note	Date	Signature

**NOTE**

1. RATING : DC 12V 50mA
2. CONTACT RESISTANCE : 100mΩMAX
3. GENERAL TOLERANCE : +/- 0.3 mm
4. MANUFACTURING SPECIFICATION  
WOULD BE ACCORDANCE WITH WT0158
5. PART NO.(P/N.):

TS604VM1 - \* \* \* R - R

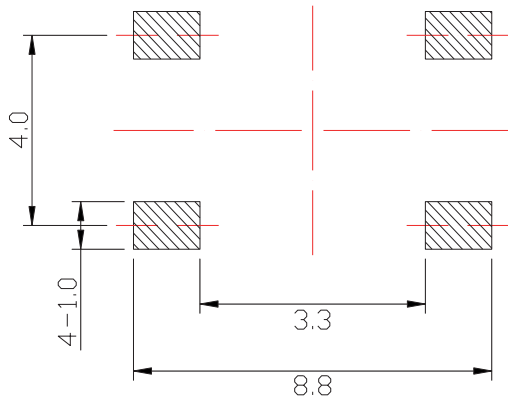
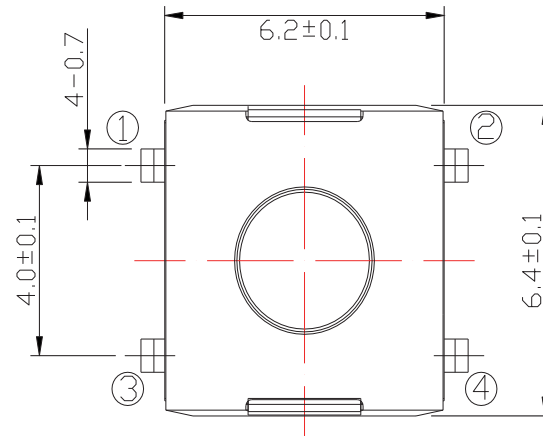
6.2 x 6.2 mm  
VERTICAL

OPERATING FORCE  
A=100gf  
B=160gf  
C=260gf

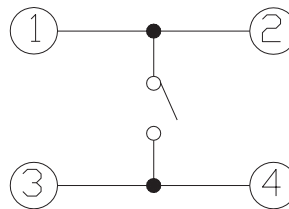
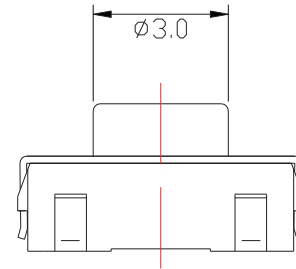
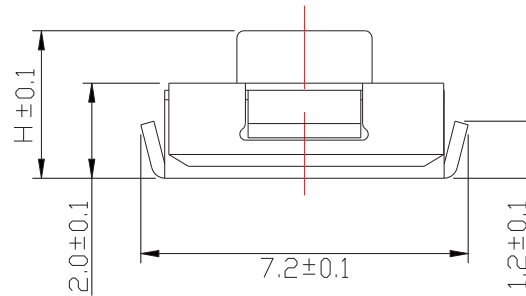
STEM  
□=BLACK  
N=BROWN  
R=RED

PACKING  
R=REEL

DIMENSION "H"  
025=2.5mm  
031=3.1mm  
035=3.5mm



P. C. B LAND DIMENSION



CIRCUIT DIAGRAM

TS604VM1-035 * R-R	3.5 mm
TS604VM1-031 * R-R	3.1 mm
TS604VM1-025 * R-R	2.5 mm
MODEL NO.	"H"

Designed by L.Y.D		 冠泰電子有限公司 CHAMPWAY ELECTRONICS CO., LTD.	
Checked by			
Approved by	Unit mm	Scale 1/1	Date 2011.10.14
Item Tactile Switch	Tool A-Cad	Sheet 1/1	Rev. 0
Model 6.2X6.2 SMD	Drawing name TS604VM1-* * * R-R		