

NOTE

- 1. RATING : DC 6V 50mA
- 2. CONTACT RESISTANCE : 100mΩMAX
- 3. GENERAL TOLERANCE : +/- 0.3 mm
- 4. MANUFACTURING SPECIFICATION
WOULD BE ACCORDANCE WITH WT0158
- 5. PART NO.(P/N.):

TS906VH - * * * * * R - B

8.0X8.0
VERTICAL
WASHABLE

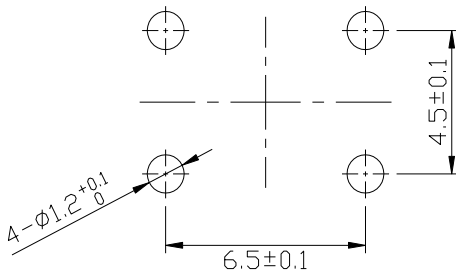
PACKING
B=BAG

OPERATING FORCE
C=260gf

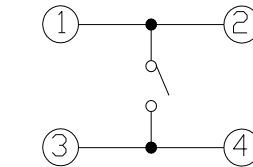
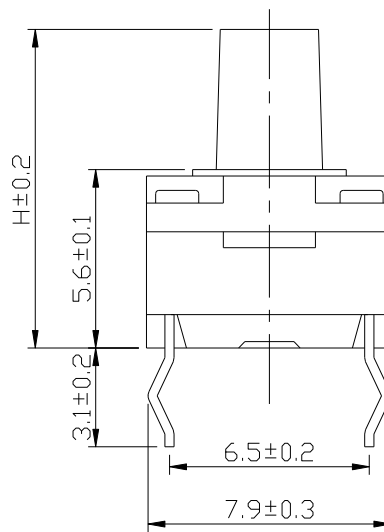
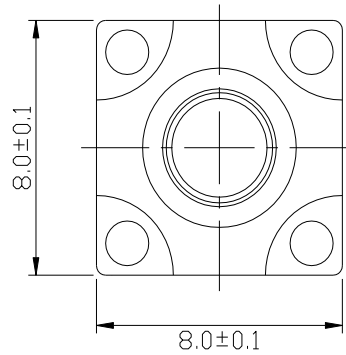
STEM COLOR
□=BLACK

DIMENSION "H"

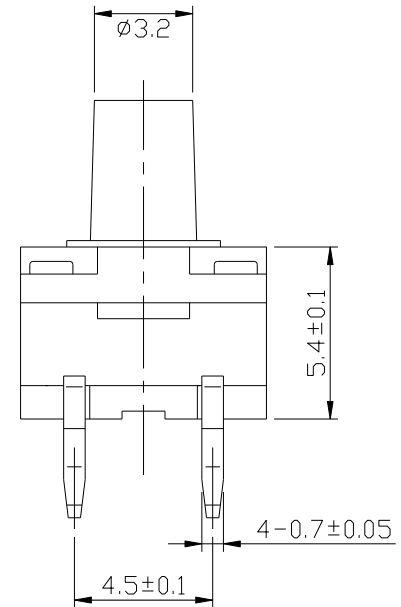
- 065=6.5mm
- 070=7.0mm
- 075=7.5mm
- 080=8.0mm
- 085=8.5mm
- 090=9.0mm
- 095=9.5mm
- 110=11.0mm
- 120=12.0mm
- 130=13.0mm
- 140=14.0mm



P. C. B LAND DIMENSION



CIRCUIT DIAGRAM



RevNo	Revision note	Date	Signature

Designed by	L.Y.D						
Checked by							
Approved by		Unit	mm	Scale	1/1	Date	2011.10.14
Item	Tactile Switch	Tool	A-Cad	Sheet	1/1	Rev.	0
Model	8.0X8.0 WASHABLE	Drawing name		TS906VH- * * * * * R-B			